



Disassembly of Waste Electrical and Electronic Equipment (WEEE) Manual

EU Waste Electronic and Electrical Equipment Directive require producers to provide information of the different electronic and electrical materials and components found in their products at its end-of-life, and disassembly references to treatment and recycling facilities.

The disassembly information for this product has been prepared for use by a recognized treatment or recycling facility and is not intended to be used by others.

1. Product information
2. Materials and components list for selective treatment
3. Disassembly tools
4. Disassembly references

The following information is intended only for the use of treatment and recycling facilities.

All disassembly instructions should be performed with the power switch in the OFF position. Disconnect the power cord from the wall outlet and from the printer before continuing. If there are any other devices attached to the printer, then turn them off as well, and unplug any cables going into the printer.

1. Product information

Model name(s)—Indicate all model name(s) within the product family

| Model name |
|--|
| Lexmark C746 series – Lexmark C746n, Lexmark C746dn, Lexmark C746dtn |
| Lexmark C748 series – Lexmark C748e, Lexmark C748de (Lexmark CS748de), Lexmark C748dte |

* Add rows as needed

2. Materials and components list for selective treatment

| Items | Quantity | Notes |
|---|----------|---|
| Polychlorinated biphenyls (PCB) containing capacitors | 0 | N/A |
| Mercury containing components, such as switches or backlighting lamps | 0 | N/A |
| Batteries | 1 | Lithium Manganese Dioxide coin cell located on the system controller card |
| Printed circuit boards greater than 10 cm ² | 7 | For Lexmark C746dtn, Lexmark C748dte (locations illustrated in 4.2) – 6 for Lexmark C746n, Lexmark C746dn, Lexmark C748e, Lexmark C748de |

| | | |
|---|--|--|
| Toner cartridges, liquid and pasty, as well as colour toner | 4 Toner cartridge; 1 Waste toner bottle | Toner cartridges located inside Front cover Waste toner located below toner cartridges |
| Plastic containing brominated flame retardants | 2 Fans; 18 Sensors; 4 Fuser parts | Fan(s) and Sensors (locations illustrated in 4.2) Plastic parts located in the fuser assembly marked with recycle code that includes "FR17" or FR"16" |
| Asbestos waste and components which contain asbestos | 0 | N/A |
| Cathode ray tubes | 0 | N/A |
| Chlorofluorocarbons (CFC), Hydrochlorofluorocarbons (HCFC) or Hydrofluorocarbons (HFC), Hydrocarbons (HC) | 0 | N/A |
| Gas discharge lamps | 0 | N/A |
| Liquid Crystal Display (LCD) greater than 100 cm ² and those back-lighted with Gas discharge lamps | 0 | N/A |
| External electrical cables | 1 | Power cord located on the back lower left quadrant |
| Components containing refractory fibres | 0 | N/A |
| Components containing radioactive substances | 0 | N/A |
| Electrolyte capacitors containing substances of concern ¹ | 4 | Capacitor(s) located on Power Supply (locations illustrated in 4.2) |
| ¹ With (height > 25 mm, diameter > 25 mm or proportionately similar volume) | | |

3. Disassembly tools

| Item |
|--|
| #2 Phillips screwdriver, magnetic |
| Wire cutter |
| E-clip puller or small flat-head screwdriver |
| Standard slotted head screwdriver |

4. Disassembly references

4.1. Removal procedure(s)



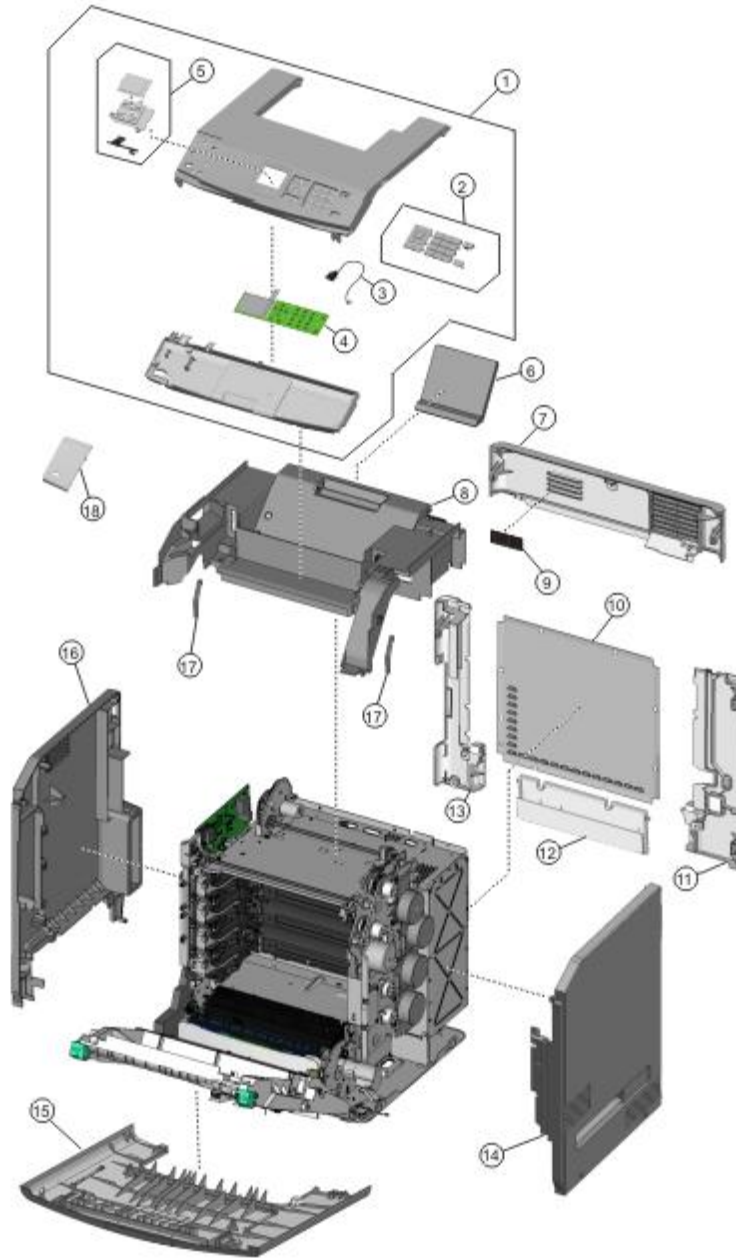
C74x WEEE removal

WEEE materials and components removal procedures are available upon request.
Contact: recycling@lexmark.com

4.2. Graphical illustration of material's and component's location

C74xSeries
Location

C746 Electronics 1



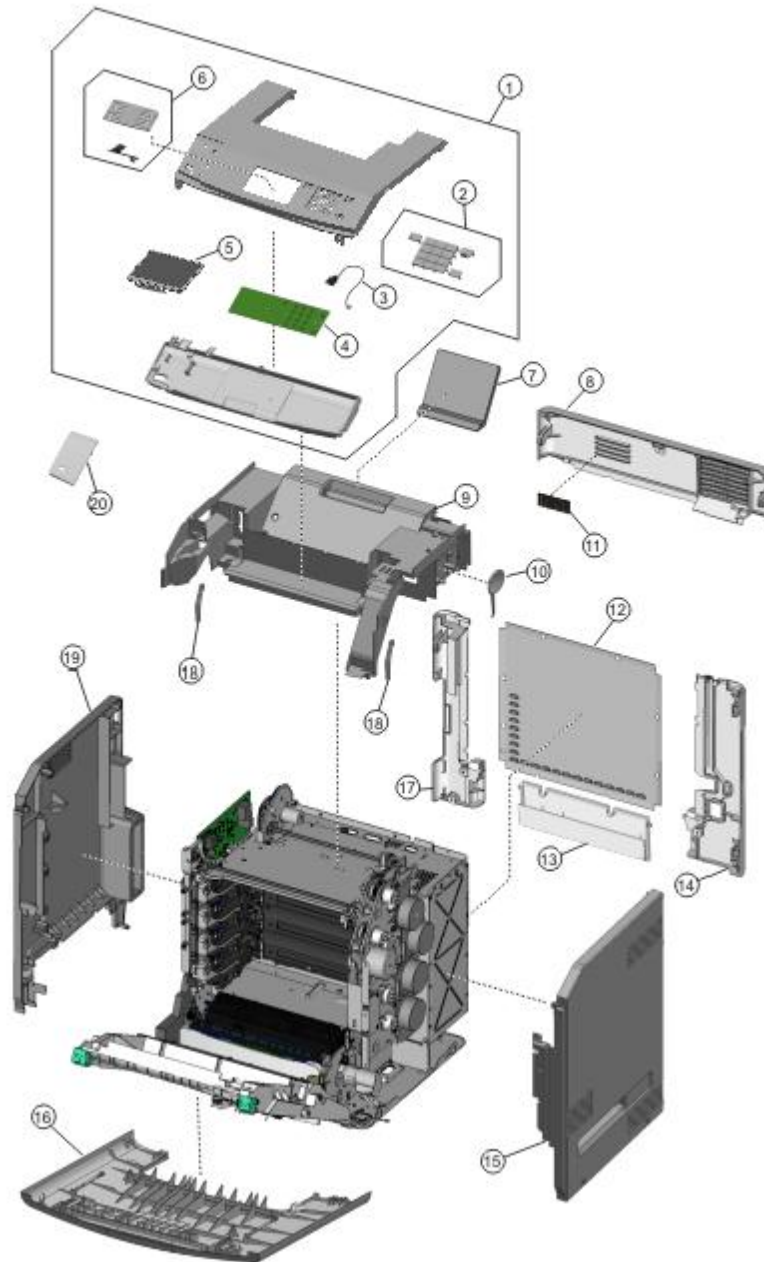
C74xSeries Location

| Index | Description |
|-------|--|
| 1 | Top access cover assembly, 2.3 inch |
| 2 | 2.3 inch operator panel buttons parts package Includes the following: Button kit Sleep button Return button Select button Navigation button Home button LED Lens |
| 3 | Bin full sensor with cable |
| 4 | 2.3 inch operator panel assembly with card Includes the following: LCD Display UICC card |
| 5 | Top access cover parts package Includes the following: Bin full flag Operator panel display bracket |
| 6 | Output bin extension cover |
| 7 | Rear upper cover |
| 8 | Top cover assembly |
| 9 | Cooling fan filter |
| | |
| | |

| Index | Description |
|-------|---|
| 10 | Rear frame cover |
| 11 | Rear right cover |
| 12 | Dust cover assembly |
| 13 | Rear left cover |
| 14 | Right cover |
| 15 | Front access door cover assembly |
| 16 | Left cover |
| 17 | Top access cover links (slider cam) The left link is also available in the top access cover assembly and the right link is also available in the EP drive assembly |
| 18 | Operator panel bezel, C74x (blank logo) |
| 18 | Operator panel bezel, C746n |
| 18 | Operator panel bezel, C746dn and C746dtn |

C74xSeries Location

C748 Electronics 1



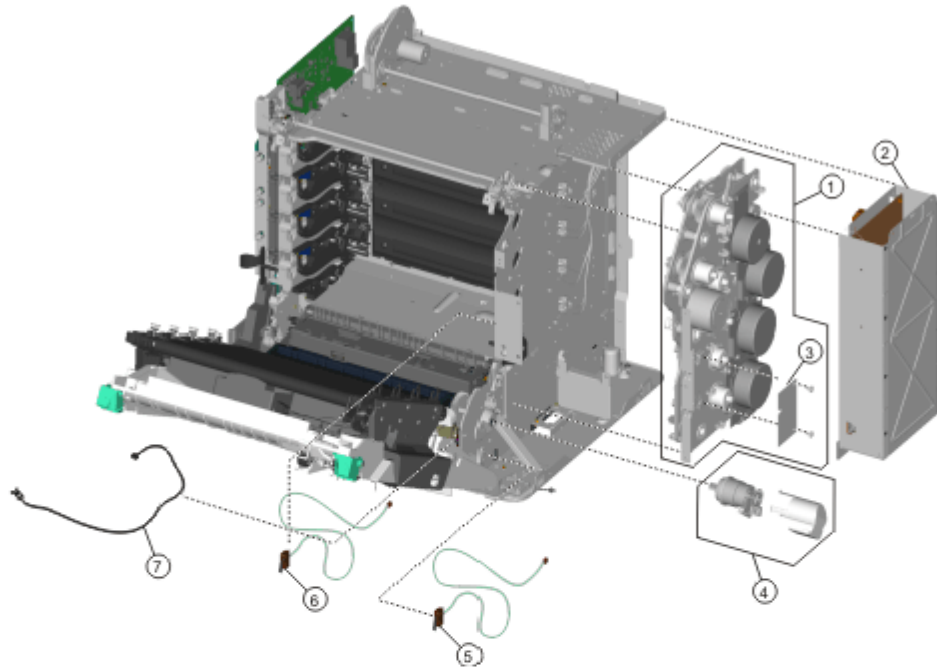
C74xSeries Location

| Index | Description |
|-------|---|
| 2—1 | Top access cover assembly, 4.3 inch |
| 2 | 4.3 inch operator panel buttons parts package Includes the following: Button kit Home button Sleep button LED Lens |
| 3 | Bin full sensor with cable |
| 4 | UICC card |
| 5 | 4.3 inch LCD display |
| 6 | Top access cover parts package Includes the following Bin full flag Operator panel display bracket |
| 7 | Output bin extension cover |
| 8 | Rear upper cover |
| 9 | Top cover assembly |
| 10 | Speaker |
| | |
| | |

| Index | Description |
|-------|---|
| 11 | Cooling fan filter |
| 12 | Rear frame cover |
| 13 | Dust cover assembly |
| 14 | Rear right cover |
| 15 | Right cover |
| 16 | Front access door cover assembly |
| 17 | Rear left cover |
| 18 | Top access cover links (slider cam) The left link is also available in the top access cover assembly and the right link is also available in the EP drive assembly |
| 19 | Left cover |
| 20 | Operator panel bezel, C74x (blank logo) |
| 20 | Operator panel bezel, C748de |
| 20 | Operator panel bezel, C748e |

C74xSeries Location

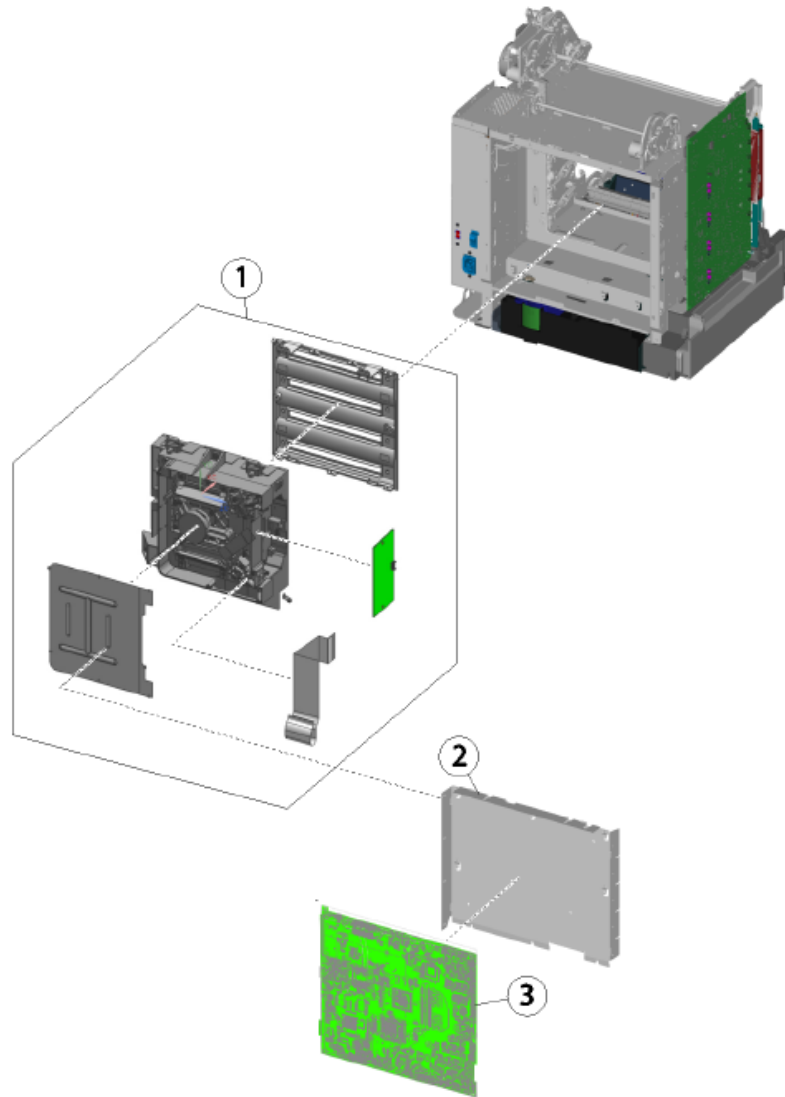
Electronics 2



| Index | Description |
|-------|-------------------------------------|
| 1 | EP drive assembly |
| 2 | Low-voltage power supply |
| 3 | Motor driver card |
| 4 | MP feeder/duplex motor |
| 5 | 24 V interlock switch |
| 6 | 5 V interlock switch |
| 7 | MPF paper present sensor with cable |

C74xSeries Location

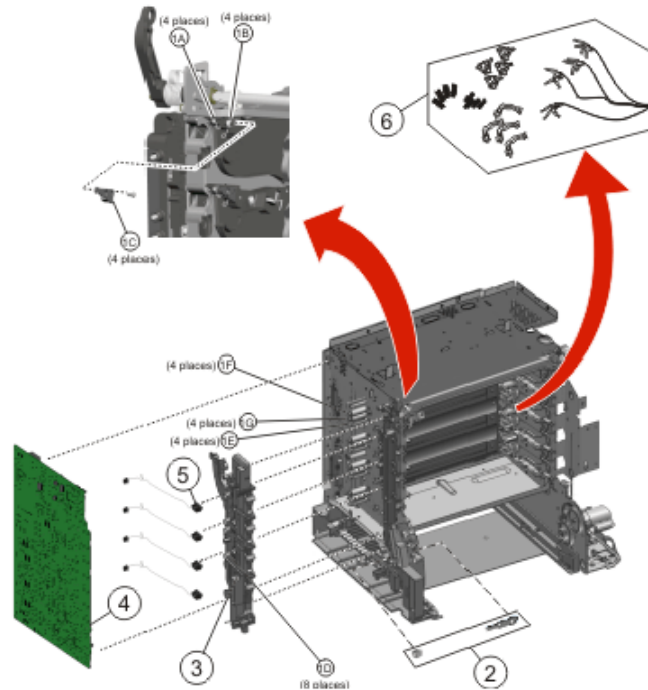
Electronics 3



| Index | Description |
|-------|-----------------------------|
| 1 | Printhead assembly |
| 2 | System board support shield |
| 3 | System board, 4.3 inch mode |
| 3 | System board, 2.3 inch mode |

C74xSeries Location

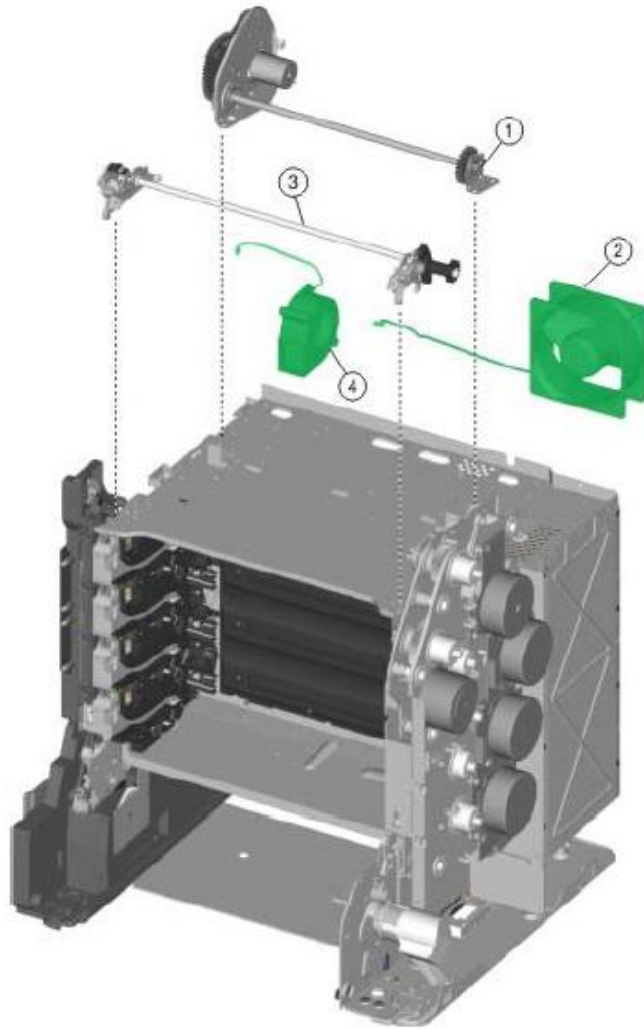
Electronics 4



| Index | Description |
|-------|---|
| 1 | Contact springs kit Includes the following: A—Torsion PCD contact spring B—Torsion CR contact spring C—Contact spring cap D—Charge roll contact spring E—HVPS TAR contact spring F—HVPS doctor/developer contact spring G—HVPS Db contact spring Screw |
| 2 | Auger shaft and gear parts pack |
| 3 | Waste toner HV contact assembly |
| 4 | High-voltage power supply |
| 5 | Toner level sensor |
| 6 | Toner cartridge contacts |

C74xSeries Location

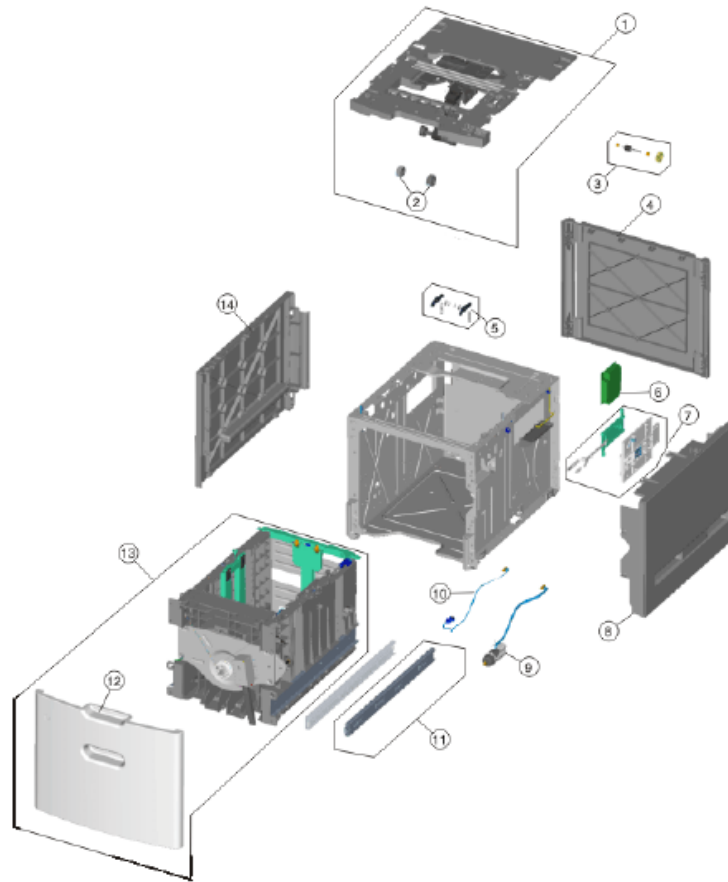
Top



| Index | Description |
|-------|-----------------------------|
| 1 | Color-On-Demand assembly |
| 2 | Cooling fan |
| 3 | Top cover camshaft assembly |
| 4 | Cartridge cooling fan |

C74xSeries Location

HCIT Option



| Index | Description | Index | Description |
|-------|-------------------------------|-------|---|
| 1 | Top plate assembly | 7 | Slide assembly with springs |
| 2 | HCIT pick arm roll | 8 | HCIT right cover |
| 3 | Feed with bushing | 9 | Elevator motor with sensor |
| 4 | HCIT rear cover | 10 | Photointerrupter sensor with cable assembly |
| 5 | Tray latch with spring | 11 | HCIT drawer slide assembly |
| 6 | HCIT controller card assembly | 12 | HCIT front tray cover |
| | | 13 | HCIT paper drawer tray assembly |
| | | 14 | HCIT left cover |

Appendix A
Plastic containing brominated flame retardants

| Part Description | Parts Marking | Location |
|-----------------------------------|-------------------------|-----------------|
| BEARING – DEVELOPER ROLL DS | PC-(GF30+PTFE15) FR(16) | FUSER AREA |
| GUIDE (MECHANICAL) – Lower | PET-(GF+MD)40 FR(17) | FUSER AREA |
| GUIDE (MECHANICAL) – Upper | PET-(GF+MD)40 FR(17) | FUSER AREA |
| BLADE – ENTRY GUIDE INSULATION | PET-(GF+MD)40 FR(17) | FUSER AREA |