



## Disassembly of Waste Electrical and Electronic Equipment (WEEE) Manual

EU Waste Electronic and Electrical Equipment Directive require producers to provide information of the different electronic and electrical materials and components found in their products at its end-of-life, and disassembly references to treatment and recycling facilities.

The disassembly information for this product has been prepared for use by a recognized treatment or recycling facility and is not intended to be used by others.

1. Product information
2. Materials and components list for selective treatment
3. Disassembly tools
4. Disassembly references

The following information is intended only for the use of treatment and recycling facilities.

### 1. Product information

**Model name(s)**—Indicate all model name(s) within the product family

#### Model name

##### **Lexmark MS71x series –**

Lexmark MS710dn, Lexmark MS711dn

##### **Lexmark MS81x series –**

Lexmark MS810n, Lexmark MS810dn, Lexmark MS810dtn, Lexmark MS810de, Lexmark MS817n, Lexmark MS817dn, Lexmark MS818dn Lexmark M5155, Lexmark M5163, Lexmark MS811n, Lexmark M5163dn, Lexmark MS811dn, Lexmark MS812dn, Lexmark MS812de, Lexmark M5170

##### **Lexmark MX71x series –**

Lexmark MX710de 3, Lexmark MX717de, Lexmark XM5163, Lexmark XM5263, Lexmark MX710de 4, Lexmark MX710dhe 4, Lexmark MX711de 3, Lexmark MX718de, Lexmark XM5170, Lexmark XM5270, Lexmark MX711de 4, Lexmark MX711dhe 4

##### **Lexmark MX81x series –**

Lexmark MX810de, Lexmark XM7155, Lexmark MX811de, Lexmark XM7163, Lexmark XM7263, Lexmark MX812de, Lexmark XM7170, XM7270

*\* Add rows as needed*

## 2. Materials and components list for selective treatment

Items	Quantity	Notes
Polychlorinated biphenyls (PCB) containing capacitors	0	N/A
Mercury containing components, such as switches or backlighting lamps	0	N/A
Batteries	1	Lithium Manganese Dioxide coin cell located on the <a href="#">Controller board</a>
Printed circuit boards greater than 10 cm <sup>2</sup>	multiple	6 – MS71x and MS81x series 11 – MX71x and MX81x series See details in <a href="#">Annex D</a>  1-for each Paper handling options See details in <a href="#">Annex E</a>  Other options: 1-Fax, 1-Hard disk drive (HDD)
Toner cartridges, liquid and pasty, as well as colour toner	2	1 – Toner cartridge 1 – Imaging Unit
Plastic containing brominated flame retardants	multiple	20 – MS71x and MS81x series 35 – MX71x and MX81x series  Paper handling options: 5 – 250 Tray, 5 – 550 Tray, 3 – High capacity input tray, 4 – Output Expander, 5 – High Capacity Output Expander, 13 – Staple finisher, 4 – Mailbox, 10 – Staple, hole punch finisher, 11 – Offset stacker  See details in <a href="#">Annex A, B and C</a>
Asbestos waste and components which contain asbestos	0	N/A
Cathode ray tubes	0	N/A
Chlorofluorocarbons (CFC), Hydrochlorofluorocarbons (HCFC) or Hydrofluorocarbons (HFC), Hydrocarbons (HC)	0	N/A
Gas discharge lamps	0	N/A
Liquid Crystal Display (LCD) greater than 100 cm <sup>2</sup> and those back-lighted with Gas discharge lamps	1	<a href="#">MS812de LCD located inside OP panel</a>
External electrical cables	1	Power cord located on the back lower left quadrant
Components containing refractory fibres	0	N/A
Components containing radioactive substances	0	N/A
Electrolyte capacitors containing substances of concern ( <i>capacitors with height &gt; 25 mm, diameter &gt; 25 mm or proportionately similar volume</i> )	4	Capacitor(s) located <a href="#">on Power Supply, LVPS (universal)</a>
Electrical and Electronic (EE) Customer Replaceable devices	multiple	See details in <a href="#">Annex F</a>
Electrical and Electronic (EE) Customer Replaceable Internal/External Card options	multiple	See details in <a href="#">Annex G</a>

### 3. Disassembly tools

Item
#2 Phillips screwdriver, magnetic
Wire cutter
E-clip puller or small flat-head screwdriver
Standard slotted head screwdriver

### 4. Disassembly references

#### 4.1. Removal procedure(s)

WEEE materials and components removal procedures are available upon request.

Contact: [recycling@lexmark.com](mailto:recycling@lexmark.com)

#### 4.2. Graphical illustration of material's and component's location

*See next page*

1

*LCD >100 cm<sup>2</sup> are identified with cyan-filled boxes*

2

*PCBs >10 cm<sup>2</sup> are identified with green-filled boxes*

3

*Printer components containing Brominated flame retardants are identified with orange-filled boxes*

**MS71x, MS81x, MX71x, MX81x Series  
Location**

**Toner Cartridge and Imaging Unit**



**MS Series**



**MX Series**



**MS Series**

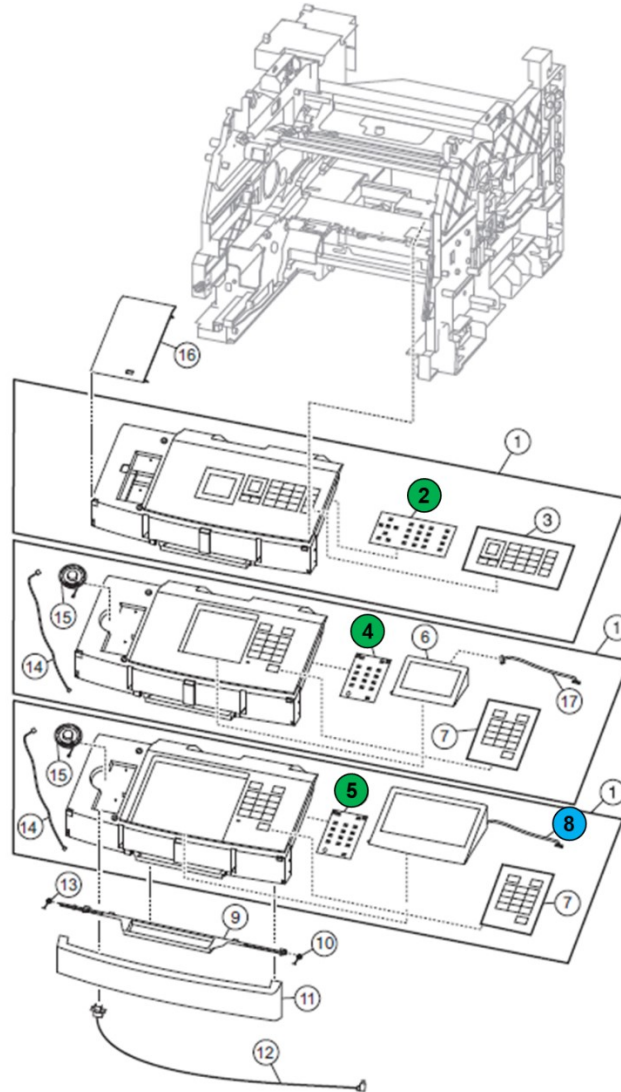


**MX Series**

**MS71x and MS81xSeries  
Location**

**Printed Circuit Boards >10cm2 and LCD > 100cm2**

**Control Panel for MS series**

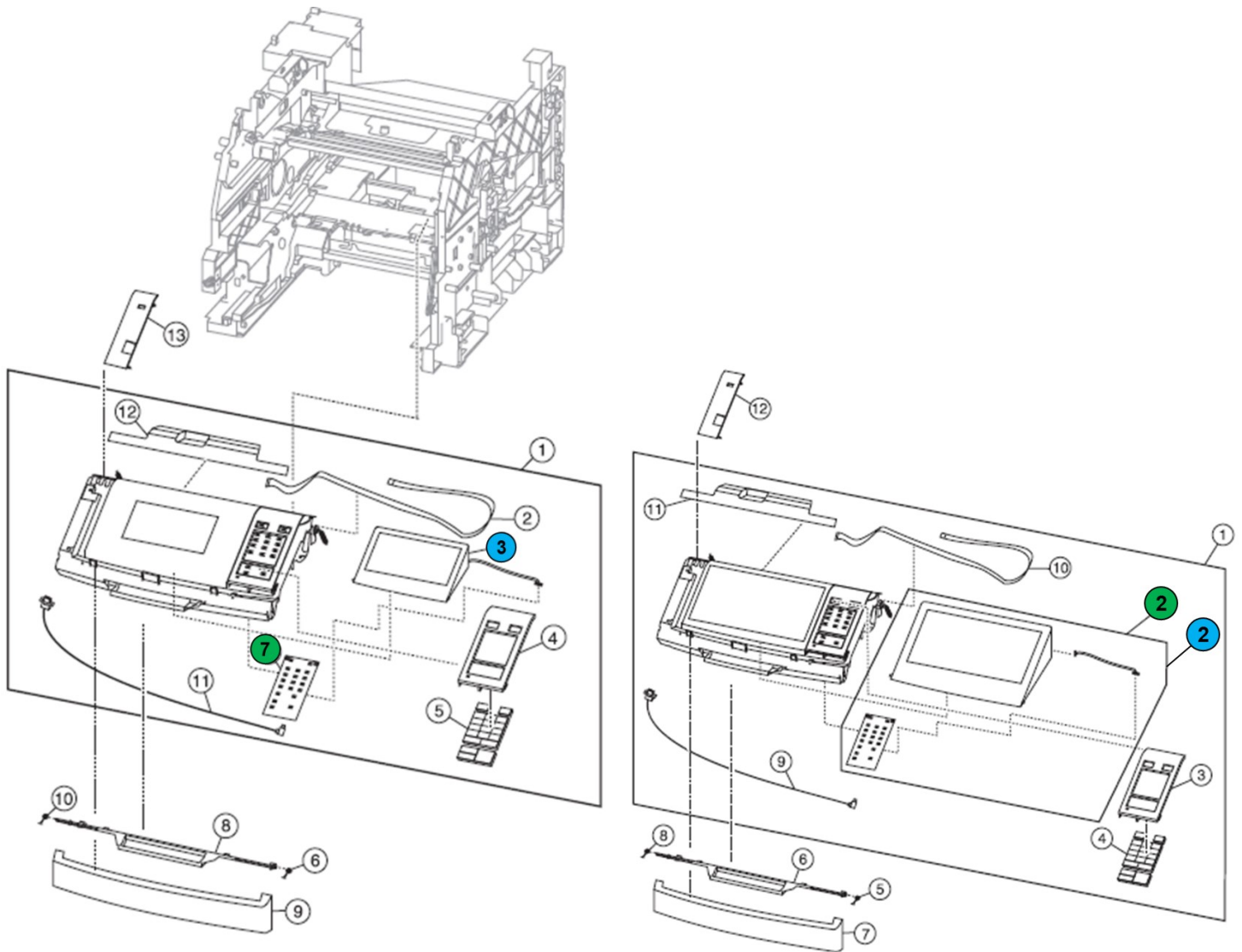


Index	Description
2	Control panel board (2.4" display only)
4	Control panel board (4.3" tilting display only)
5	Control panel board (7" tilting display only)
8	7" tilting display LCD within the assembly

**MX71x and MX81x Series  
Location**

**Printed Circuit Boards >10cm2 and LCD > 100cm2**

**Control Panel for MX series**

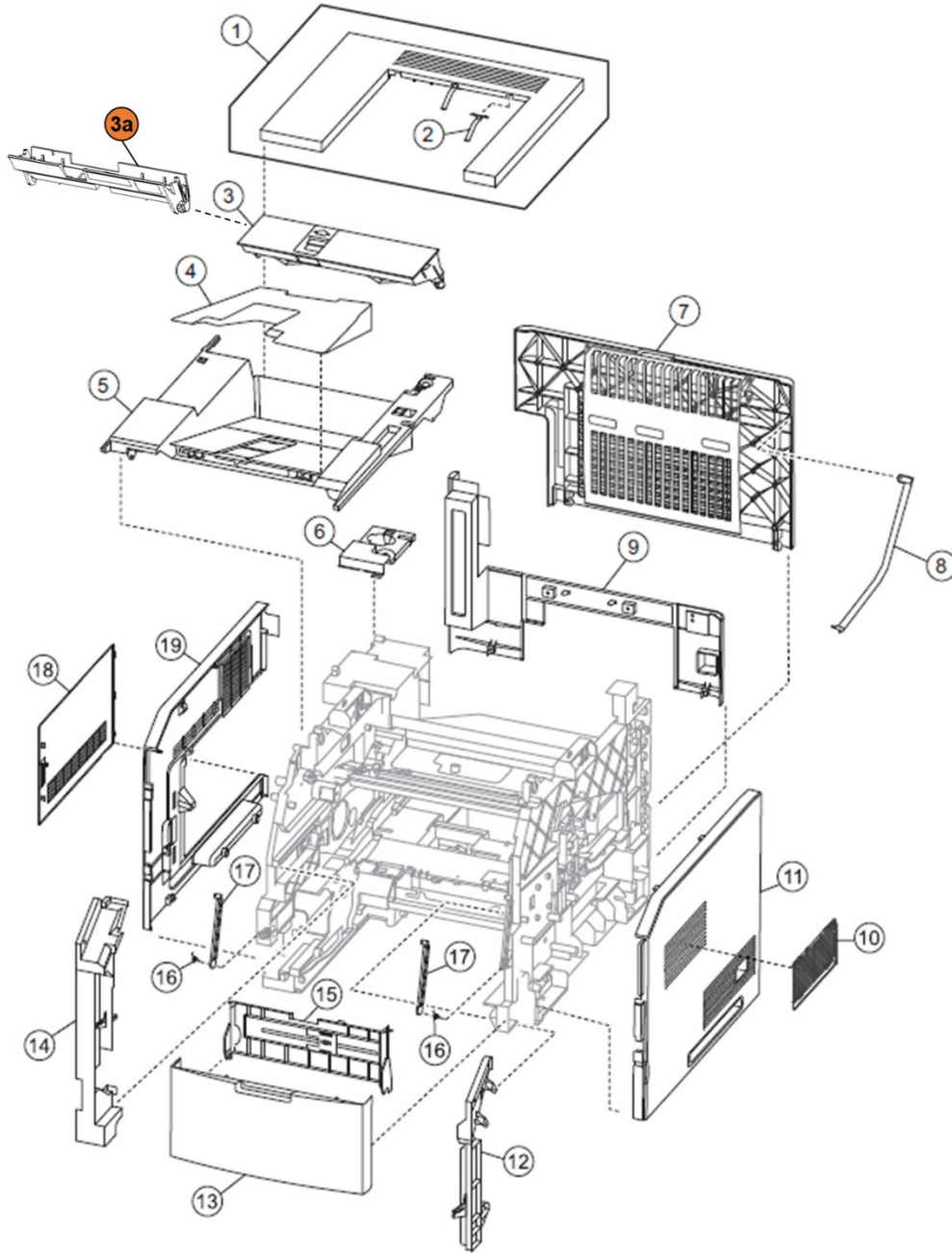


Index	Description
3	Tilting 7-inch display LCD within the assembly
7	7-inch Control panel board
2	10.1-inch Control panel board within the assembly
2	10.1-inch Control panel display LCD within the assembly

**MS71x, MS81x Series  
Location**

**Printer Printed Circuit Boards >10cm<sup>2</sup> and Brominated Plastic Components**

**Covers**

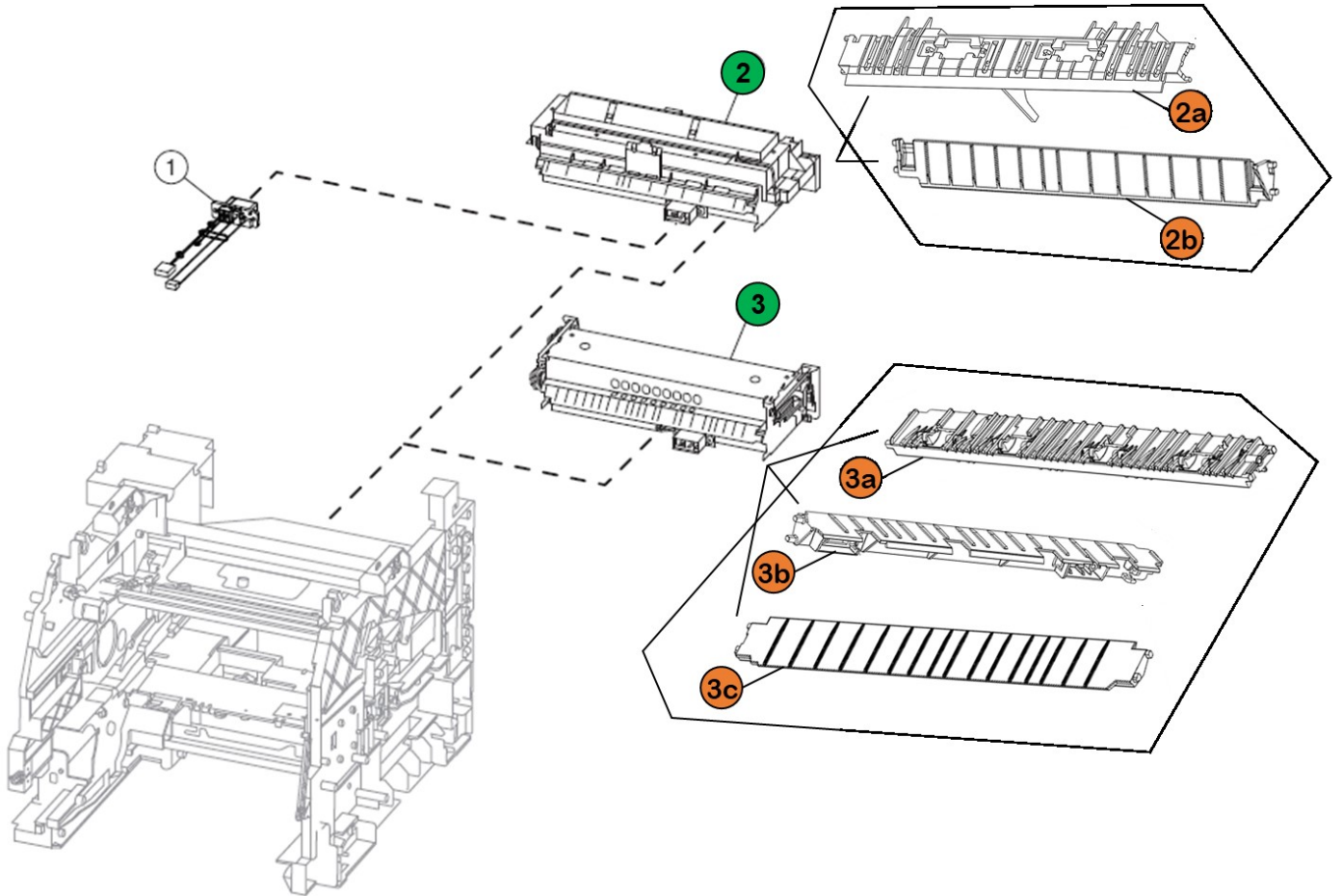


Index	Description
3a	40G7743-BASE-FUSER WIPER HR

**MS71x, MS81x, MX71x, MX81x Series  
Location**

**Printed Circuit Boards >10cm<sup>2</sup> and Brominated Plastic Components**

**Fuser**



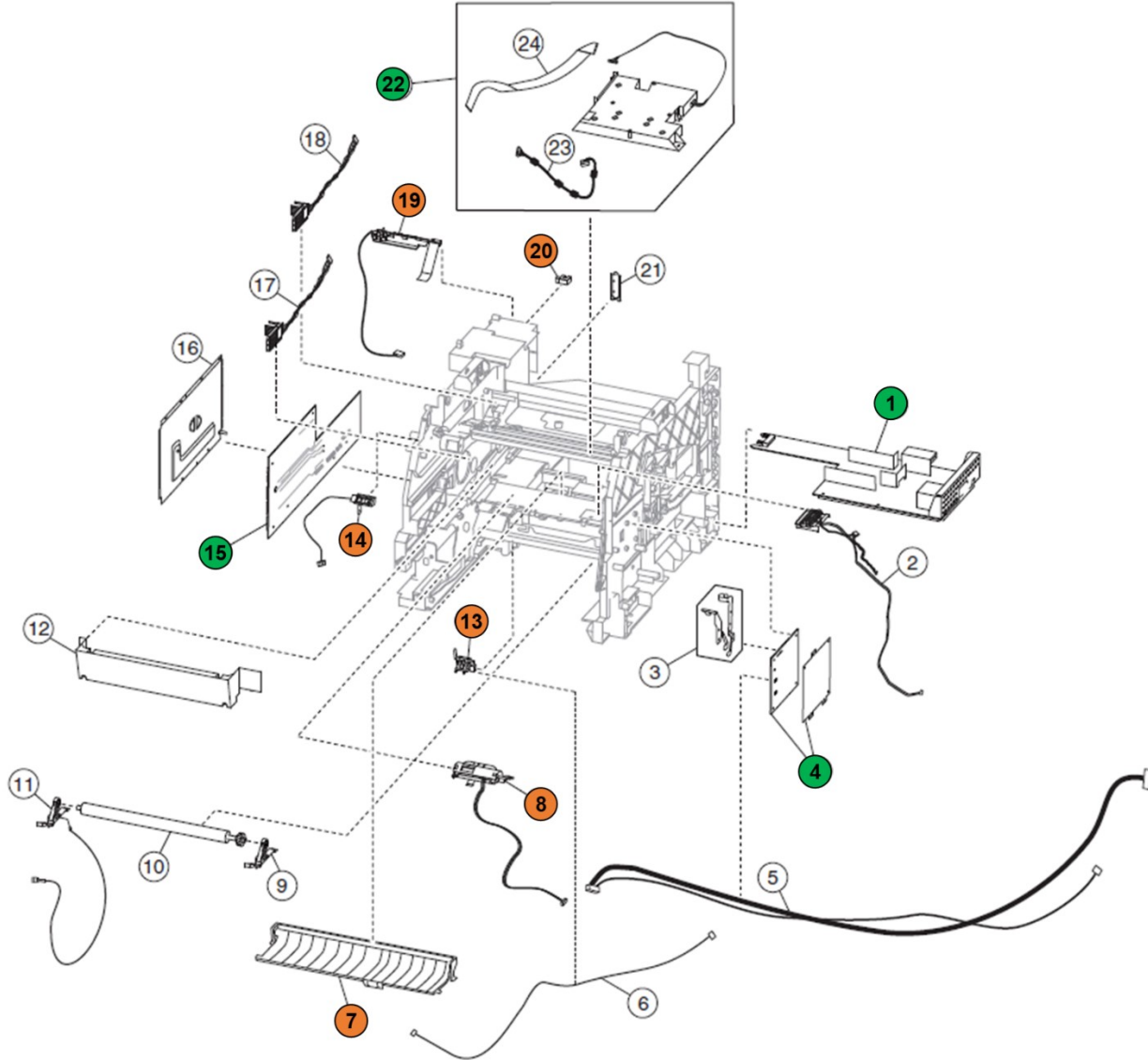
Index	Description
2	Hot roll fuser card within the assembly
2a	50G8521-Lower Exit
2b	50G8570-Entry
3	Belt fuser card within the assembly
3a	50G4018-LOWER EXIT - FUSER
3b	50G4021-UPPER EXIT - FUSER
3c	40G4044-INPUT - LOWER - FUSER



**MS71x, MS81x, MX71x, MX81x Series  
Location**

**Printed Circuit Boards >10cm<sup>2</sup> and Brominated Plastic Components**

**Electronics**



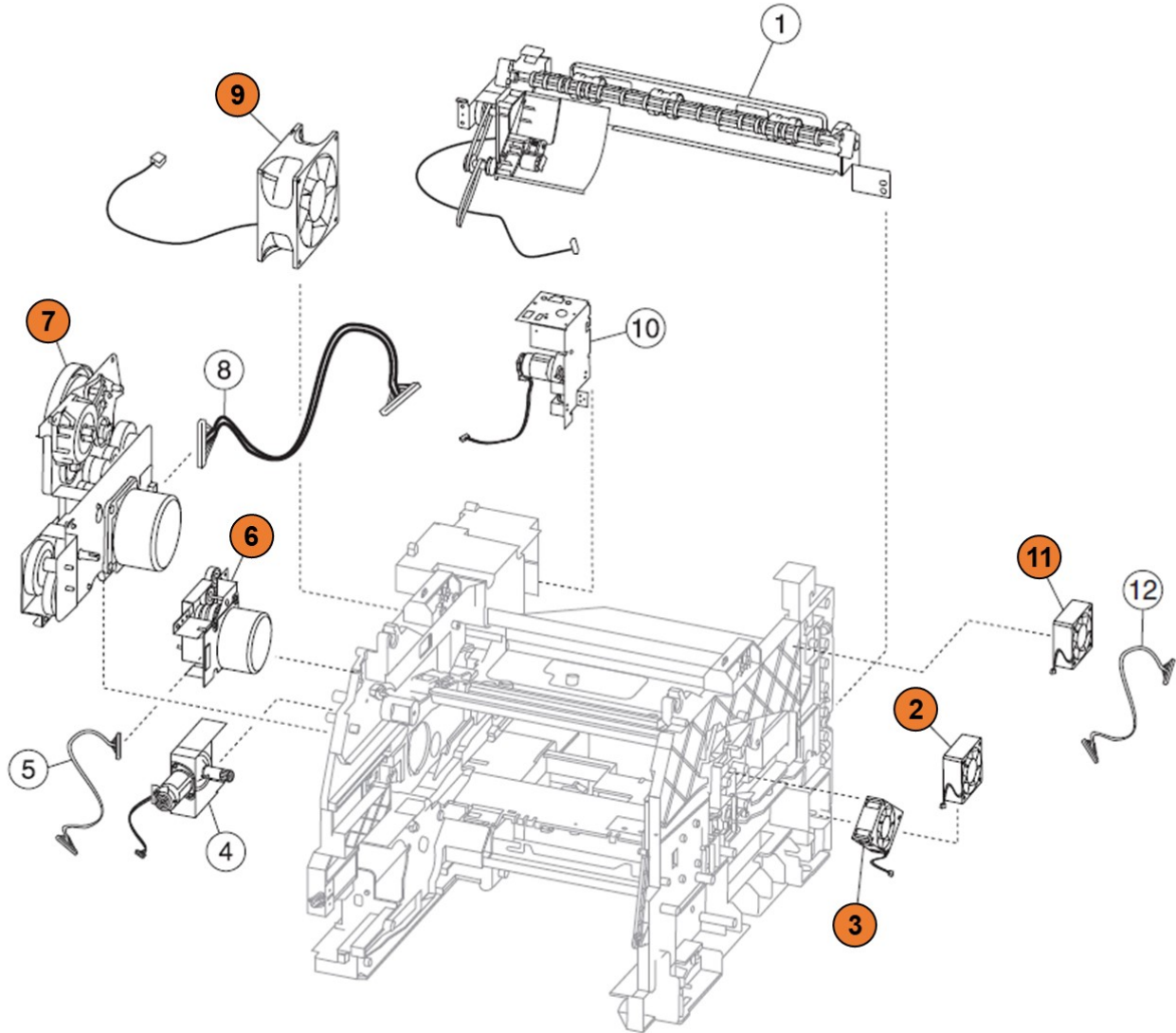
Index	Description
1	LVPS (universal)
4	HVPS
7	40G6140-PLATE: TRANSFER
8	Sensor (toner density)
13	Sensor (input)

Index	Description
14	Sensor (control panel interlock)
15	Controller board
19	Sensor (standard bin full)
20	Interrupt sensor
22	Laser printhead card within the assembly

**MS71x, MS81x, MX71x, MX81x Series  
Location**

**Printed Circuit Boards >10cm<sup>2</sup> and Brominated Plastic Components**

**Drive Motors**

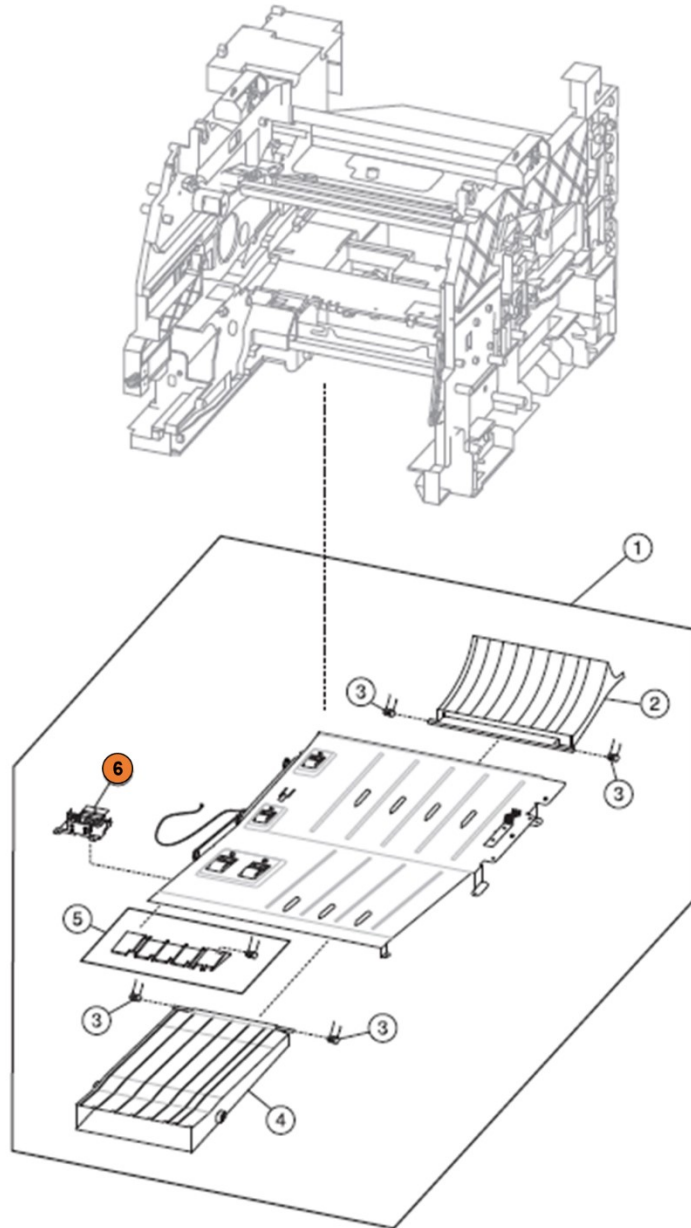


Index	Description
2	Duplex cooling fan
3	Cartridge cooling fan
6	Fuser drive motor
7	Main drive motor
9	Main cooling fan with cable
11	Fuser cooling fan

**MS71x, MS81x, MX71x, MX81x Series  
Location**

**Printed Circuit Boards >10cm<sup>2</sup> and Brominated Plastic Components**

**Duplex**

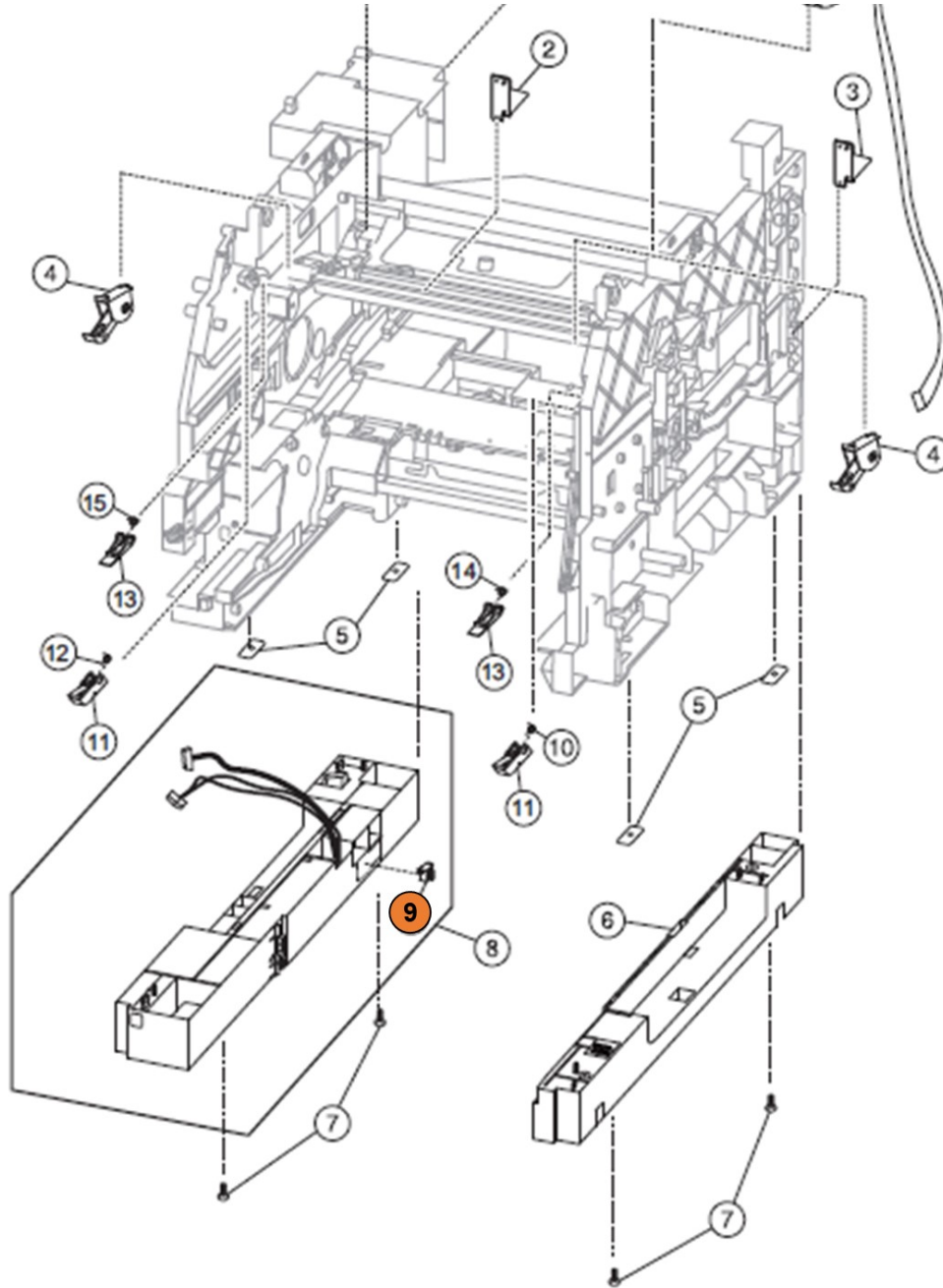


Index	Description
6	Sensor (duplex path)

MS71x, MS81x, MX71x, MX81x Series  
Location

Printed Circuit Boards >10cm<sup>2</sup> and Brominated Plastic Components

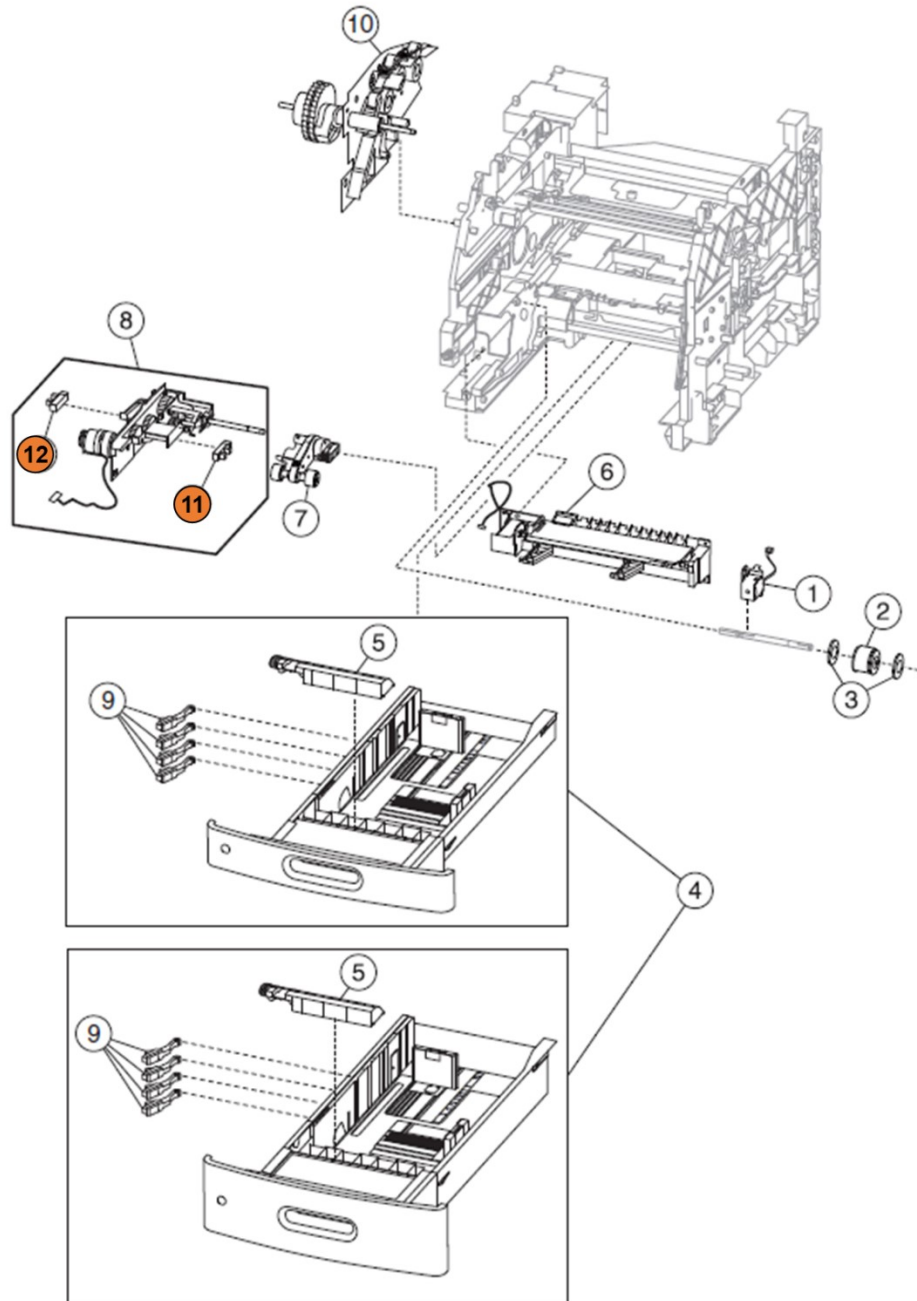
Frame



Index	Description
9	Sensor (media size)

**MX71x, MX81x Series  
Location**

**Paper Tray**

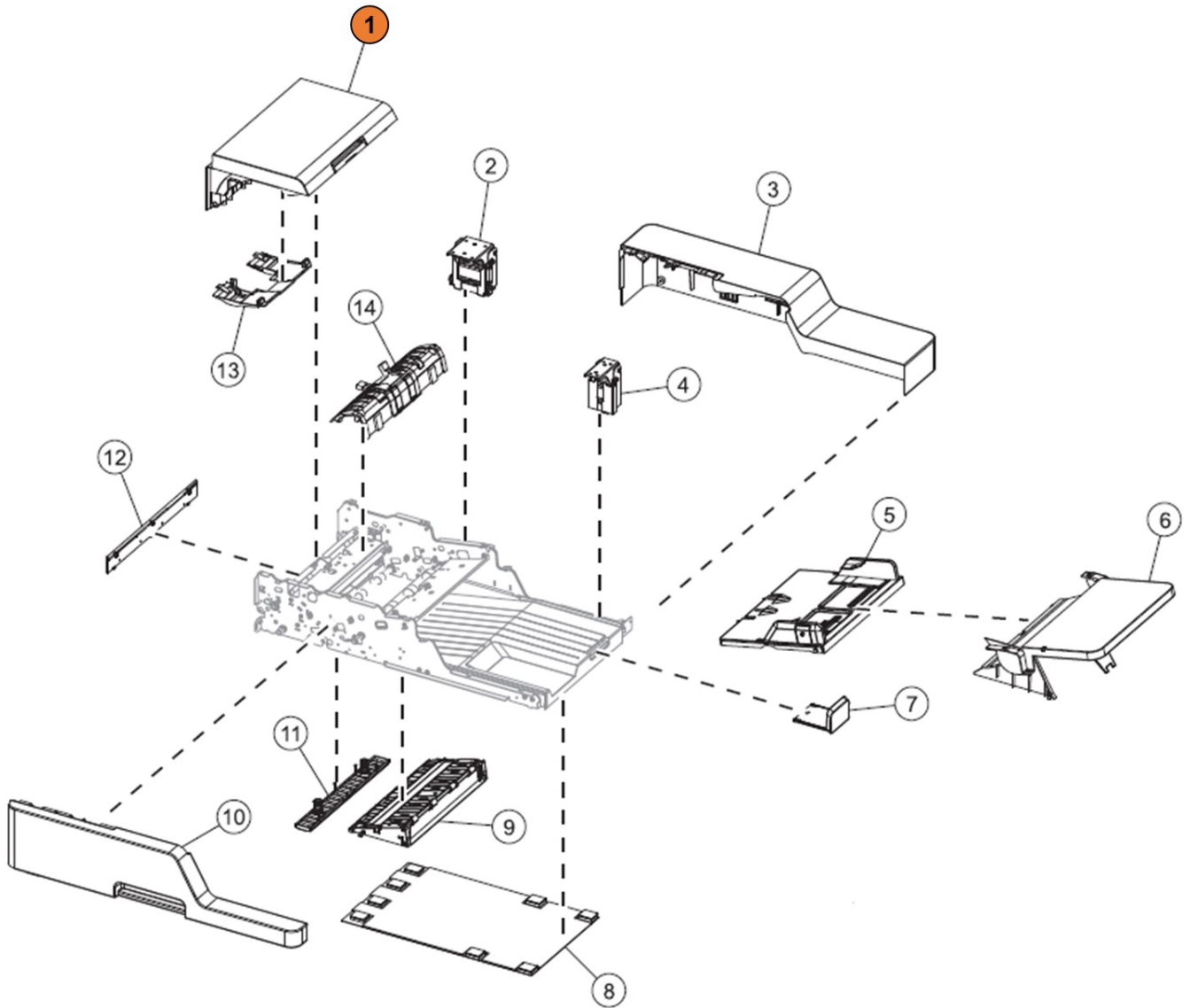


Index	Description
11	Interrupt sensor (pick roller position)
12	Interrupt sensor (media empty)

MS71x, MS81x, MX71x, MX81x Series  
Location

ADF & Scanner Printed Circuit Boards >10cm<sup>2</sup> and Brominated Plastic Components

ADF Covers

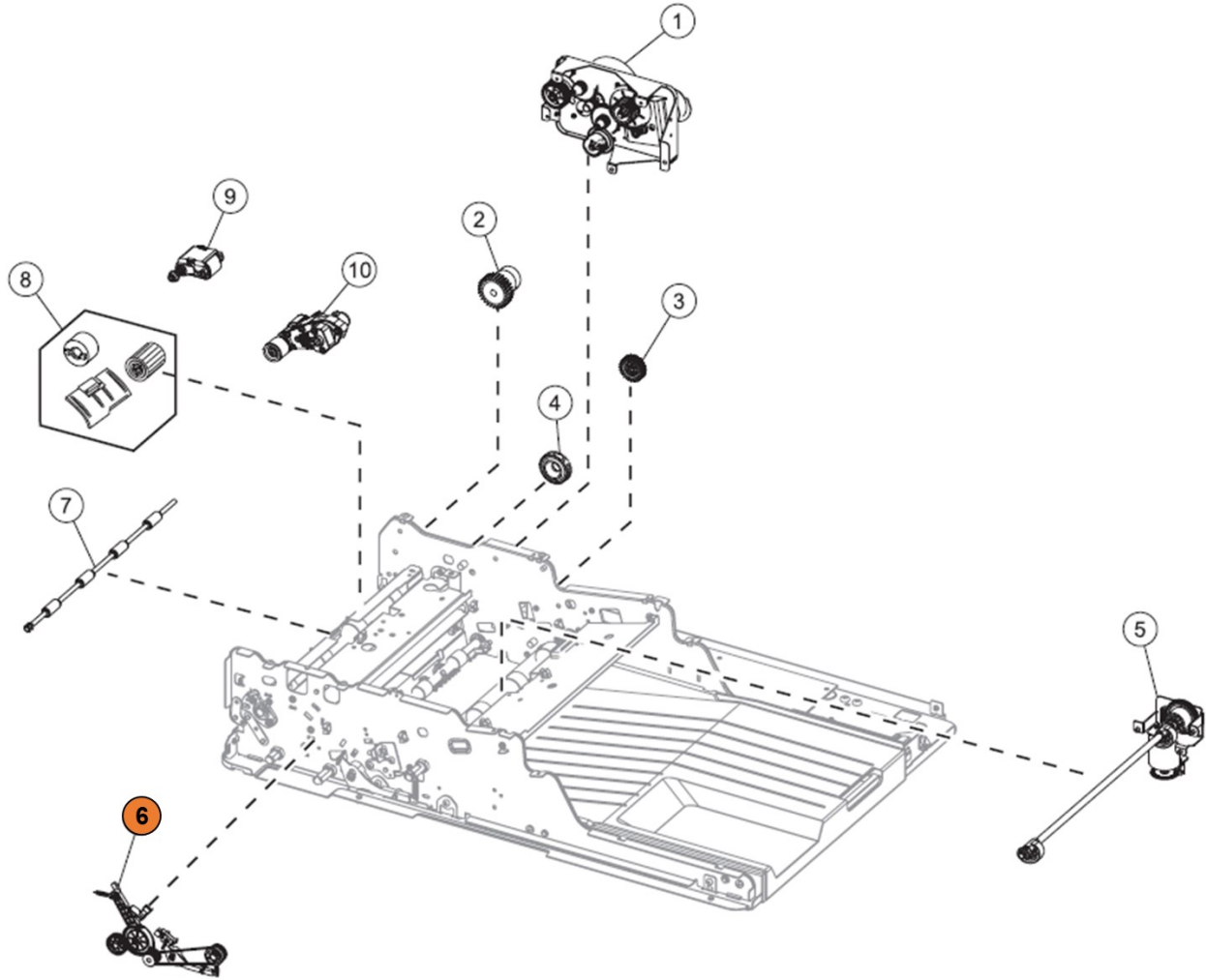


Index	Description
1	MF sensor within the assembly

**MX71x, MX81x Series  
Location**

**Printed Circuit Boards >10cm<sup>2</sup> and Brominated Plastic Components**

**ADF Mechanical**

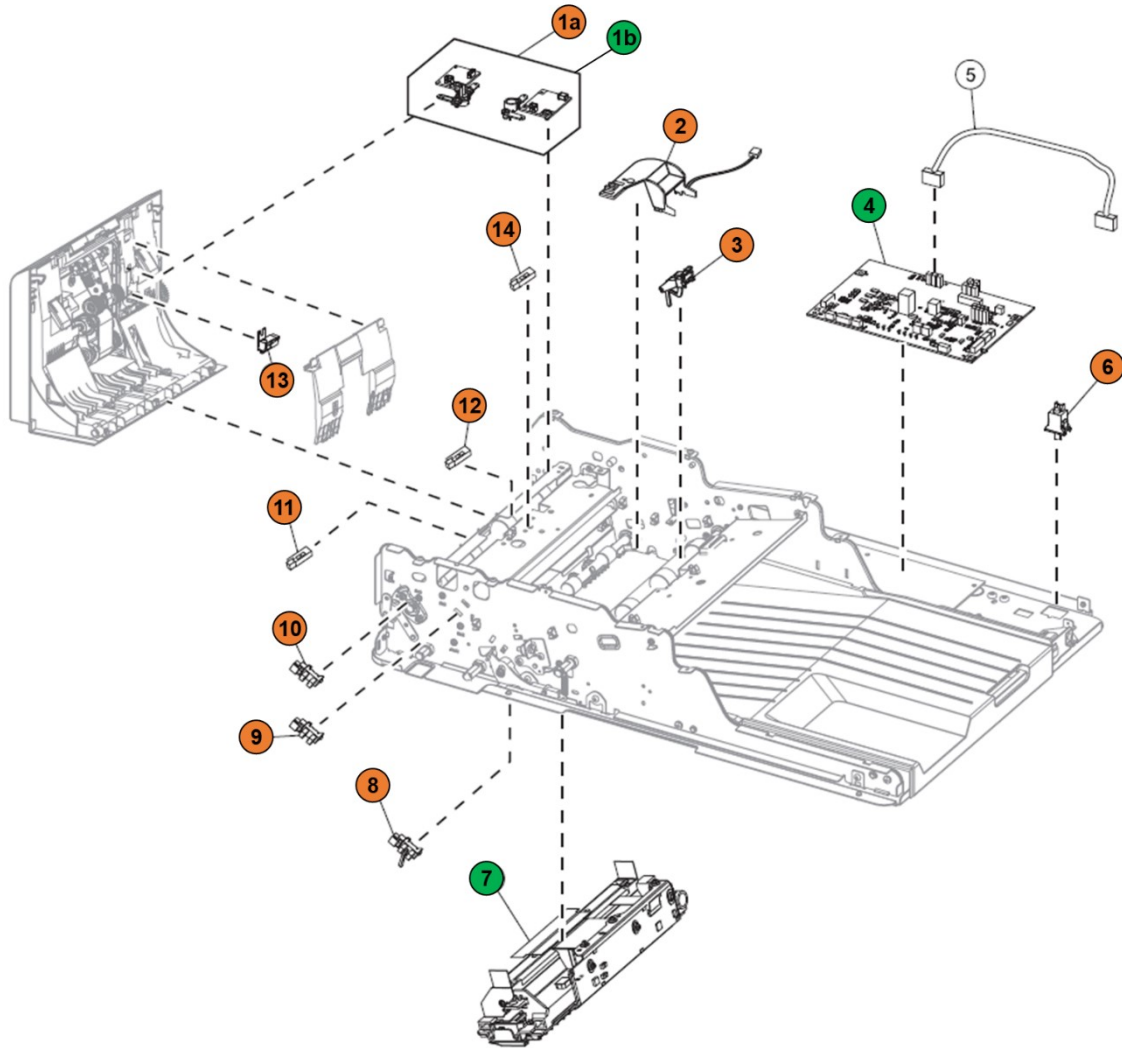


Index	Description
9	Interrupt sensors (2 units) within the assembly

**MX71x, MX81x Series  
Location**

**Printed Circuit Boards >10cm<sup>2</sup> and Brominated Plastic Components**

**ADF Electronics**



Index	Description
1a	Ultrasonic Multifeed sensors (2 units)
1b	Multi-Feed Detection boards (2 units)
2	Sensor (ADF media present)
3	Interrupt w/flag sensor (ADF exit)
4	ADF controller card
6	Push button switch sensor (ADF closed)
7	ADF CCD scanner board within the assembly

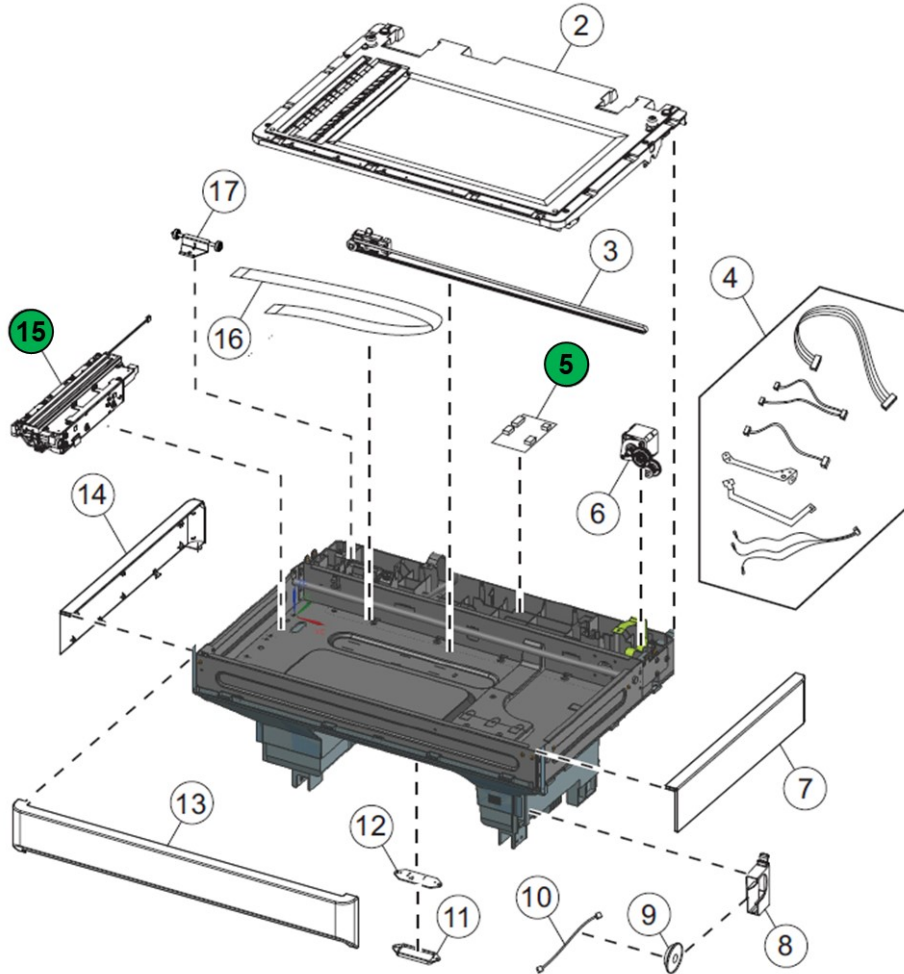
Index	Description
8	Interrupt w/ flag sensor (ADF 2 <sup>nd</sup> scan)
9	Sensor (ADF lower door interlock)
10	Sensor (ADF top door interlock)
11	Sensor (ADF 1st scan)
12	Sensor (ADF skew detect)
13	Sensor (ADF gap detect)
14	Sensor (ADF pick)



**MX71x, MX81x Series  
Location**

**Printed Circuit Boards >10cm<sup>2</sup> and Brominated Plastic Components**

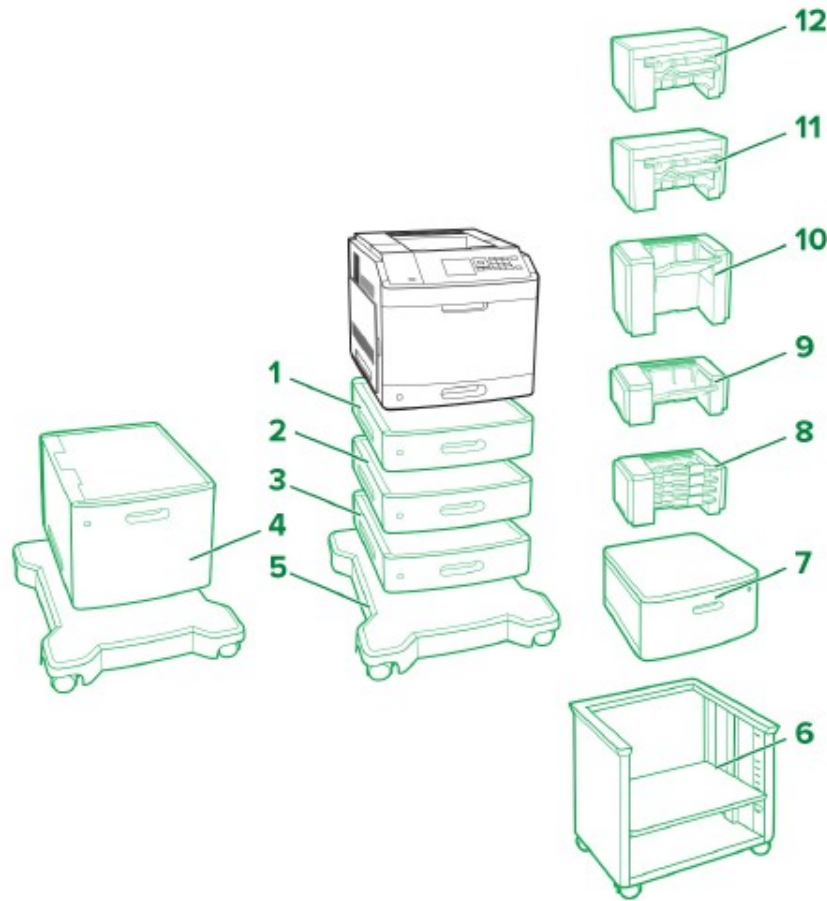
**Flatbed scanner**



Index	Description
5	Flatbed scanner board
15	Flatbed scanner CCD board within the assembly

**MS71x, MS81x, MX71x, MX81x Series  
Location**

**MS Series Paper handling options**

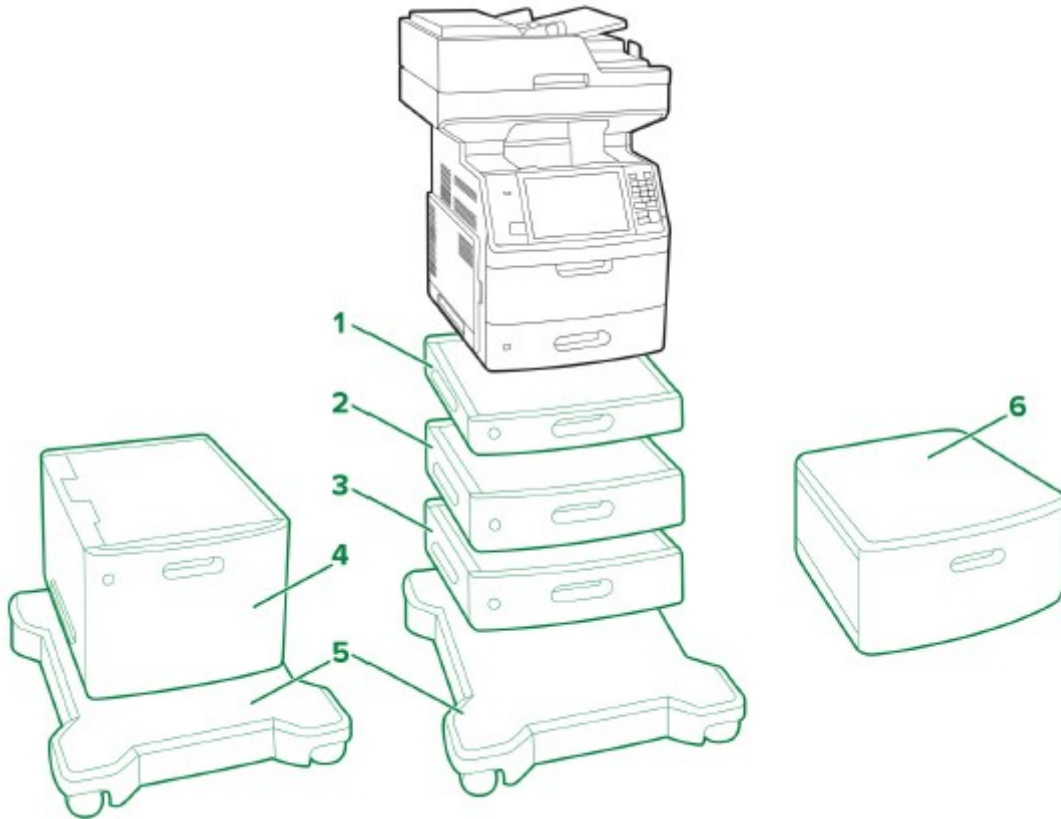


Index	Description
1	250-sheet tray / 250-sheet lockable tray
2	550-sheet tray / 550-sheet lockable tray
3	Spacer*
4	2100-sheet tray
5	Caster base*
6	Adjustable printer stand*
7	Swivel cabinet*
8	4-bin mailbox
9	Output expander
10	High capacity output expander
11	Staple, hole punch finisher
12	Staple finisher

Options marked with (\*) are non-Electrical and electronic units

**MS71x, MS81x, MX71x, MX81x Series  
Location**

**MX Series Paper handling options**



Index	Description
1	250-sheet tray / 250-sheet lockable tray for MX710 only
2	550-sheet tray / 550-sheet lockable tray
3	Spacer* for MX710 only
4	2100-sheet tray
5	Caster base*

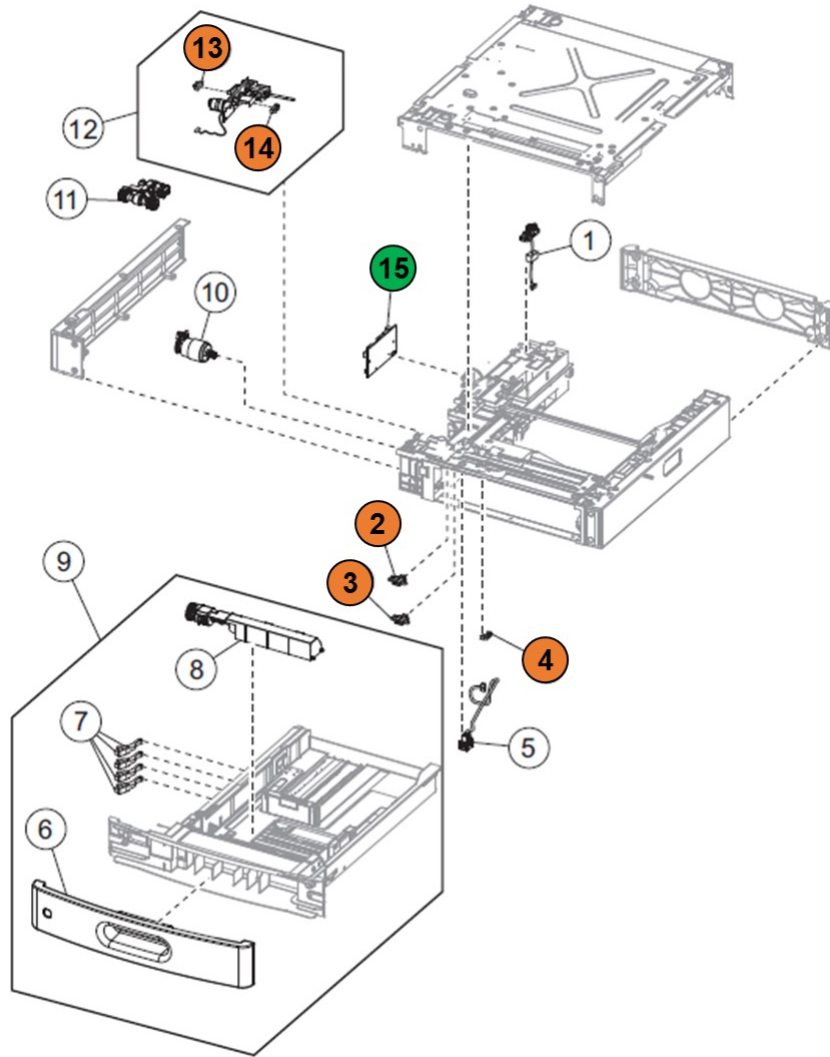
Options marked with (\*) are non-Electrical and electronic units

**MS71x, MS81x, MX71x, MX81x Series  
Location**

**Printed Circuit Boards >10cm<sup>2</sup> and Brominated Plastic Components**

**Paper Handling Options Printed Circuit Boards >10cm<sup>2</sup> and Brominated Plastic Components**

**250/ 550-sheet Tray Option**

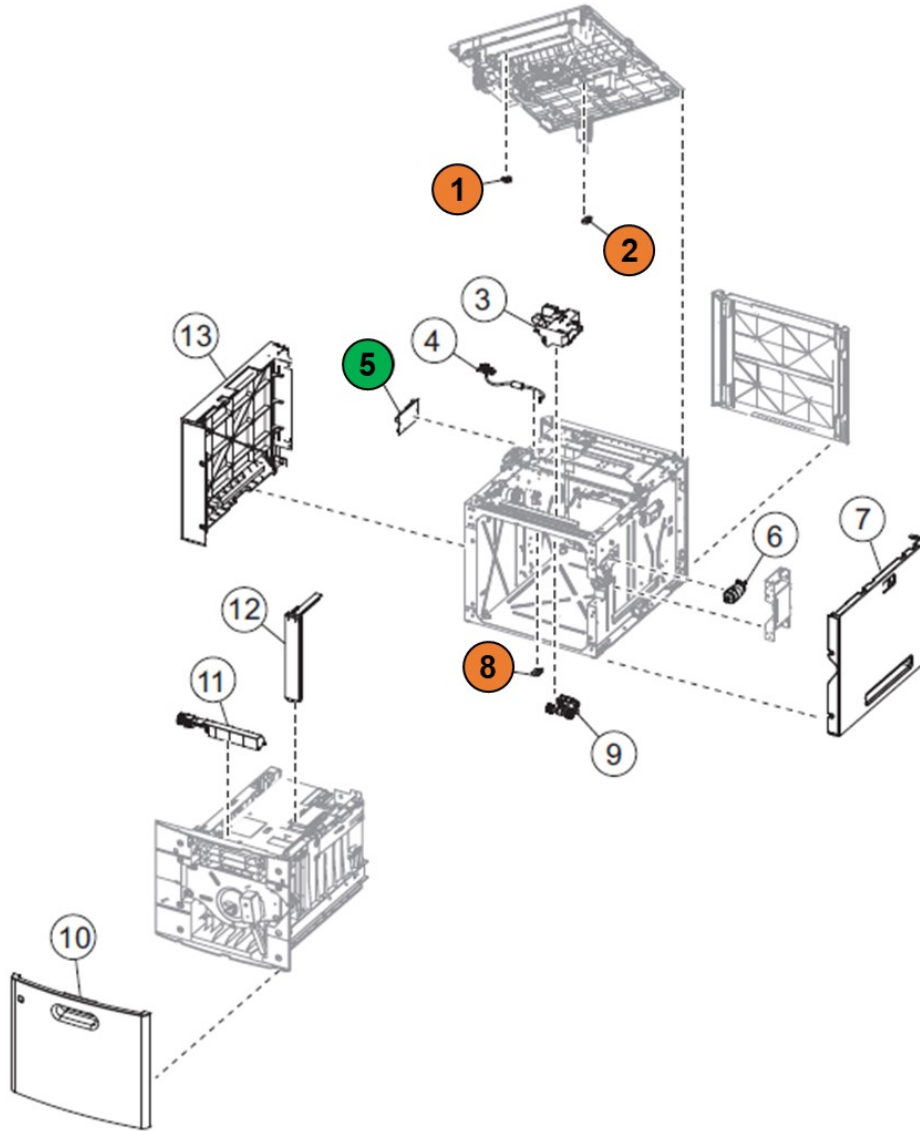


Index	Description
2	Sensor (trailing edge)
3	Sensor (pass through)
4	Sensor (pick roller position)
13	Interrupt sensor (media empty)
14	Interrupt sensor (pick roller position)
15	250/550-sheet tray option controller board

MS71x, MS81x, MX71x, MX81x Series  
Location

Printed Circuit Boards >10cm<sup>2</sup> and Brominated Plastic Components

High capacity input tray option

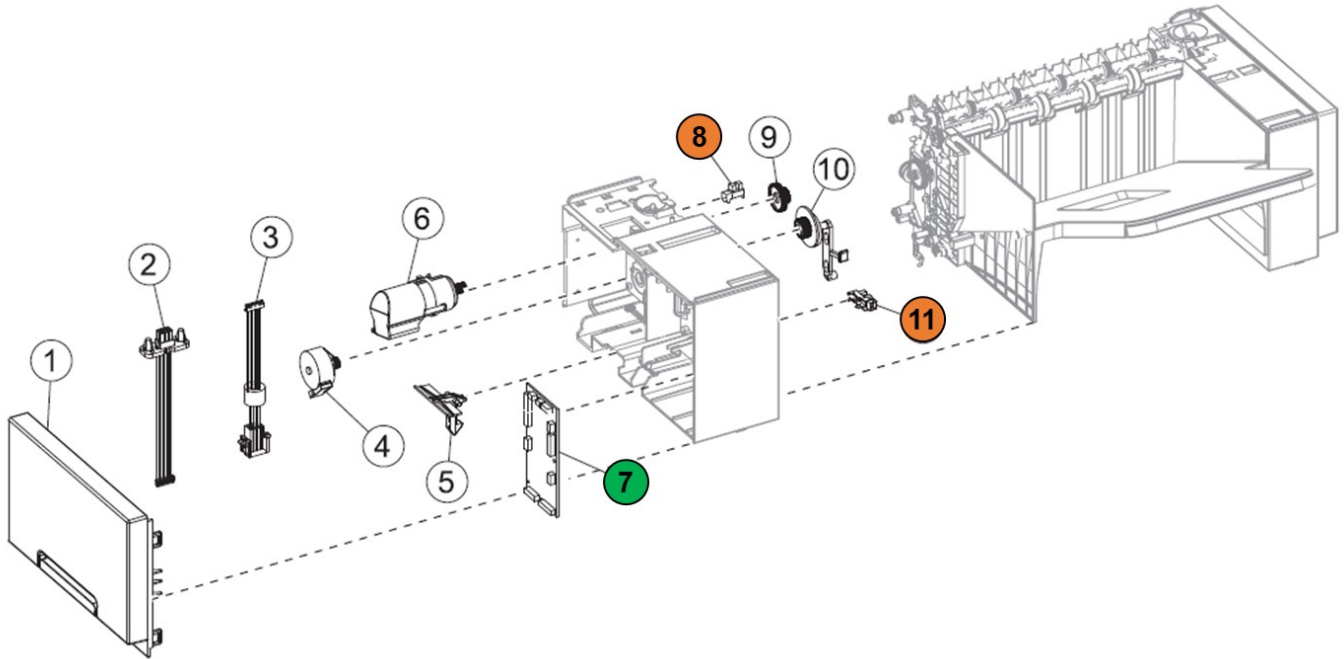


Index	Description
1	Sensor (HCIT pick) with cable
2	Sensor (HCIT media low) with flag
5	HCIT controller board
8	Sensor (HCIT pick roller position)

**MS71x, MS81x Series  
Location**

**Printed Circuit Boards >10cm<sup>2</sup> and Brominated Plastic Components**

**Output expander option 1**

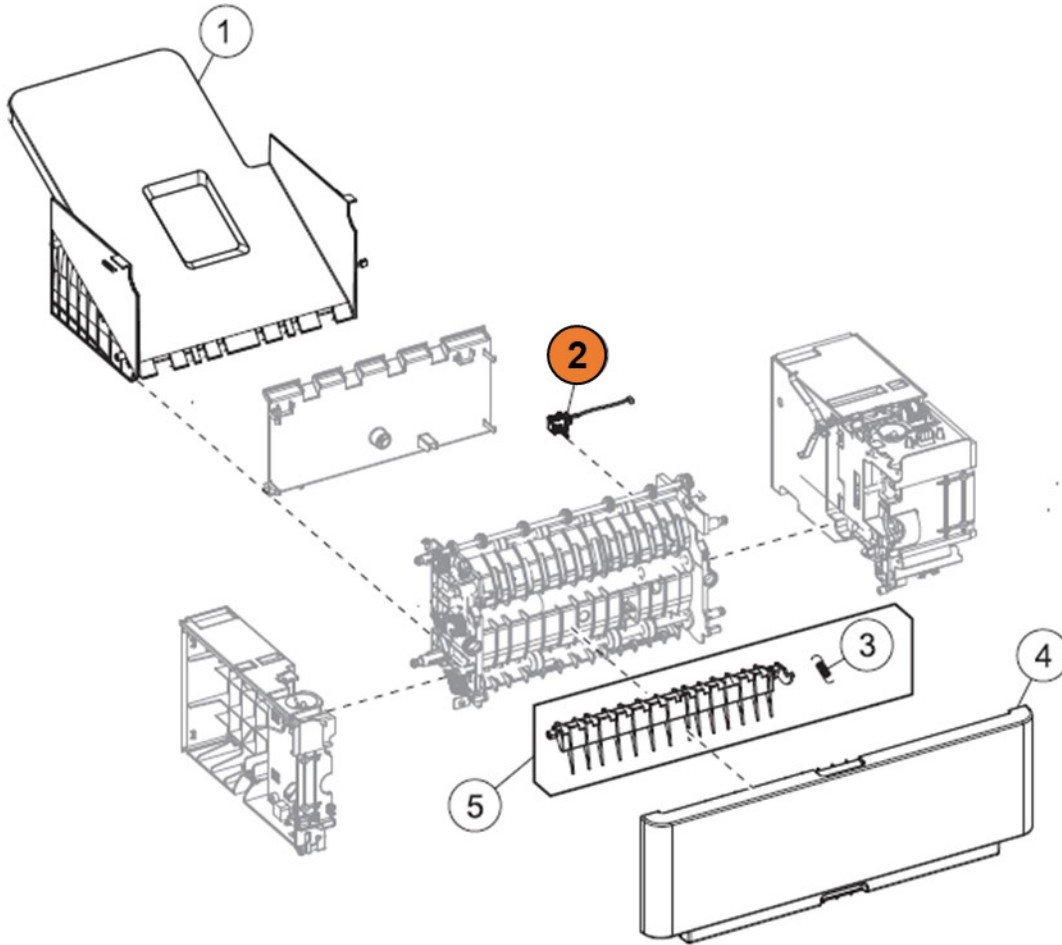


Index	Description
7	Output expander controller board
8	Sensor (OE rear door interlock)
11	Sensor (OE diverter plunger HP)

**MS71x, MS81x Series  
Location**

**Printed Circuit Boards >10cm<sup>2</sup> and Brominated Plastic Components**

**Output expander option 3**

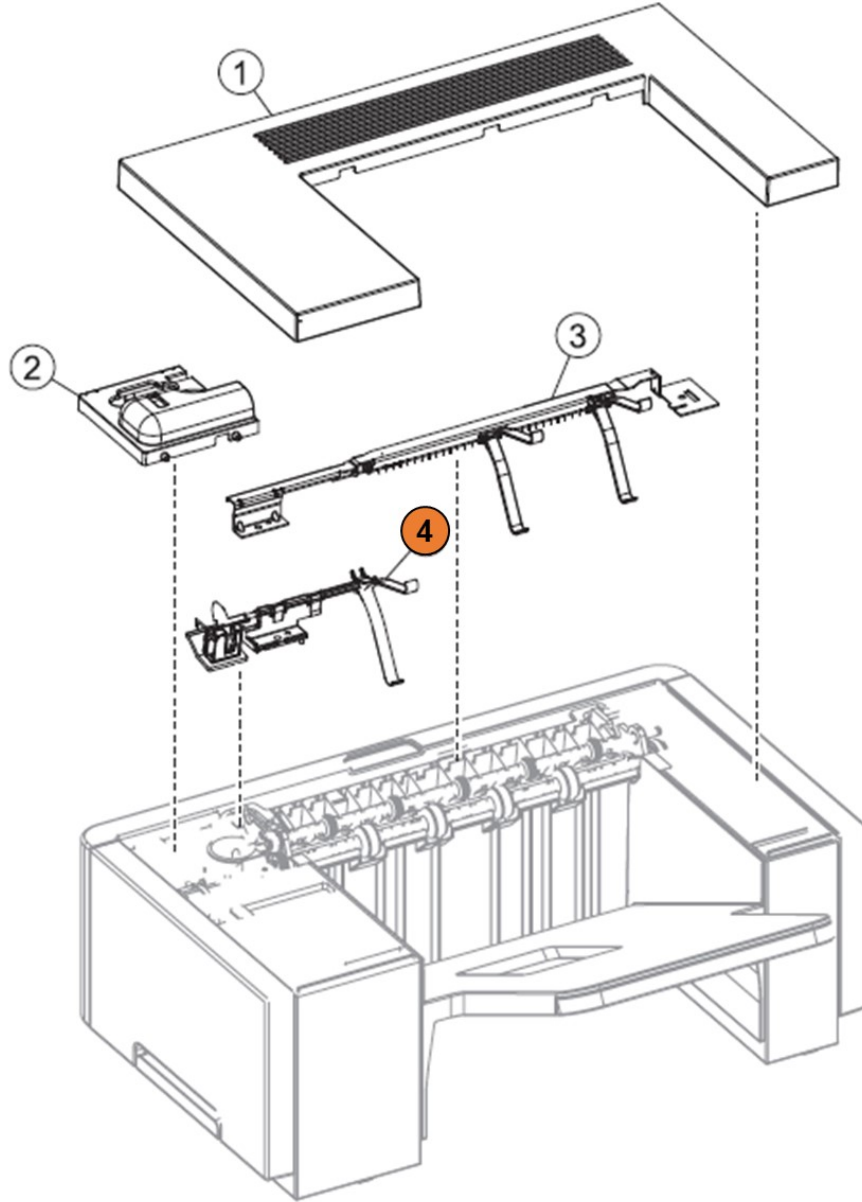


Index	Description
7	Sensor (OE pass through)

**MS71x, MS81x Series  
Location**

**Printed Circuit Boards >10cm<sup>2</sup> and Brominated Plastic Components**

**Output expander option 4**



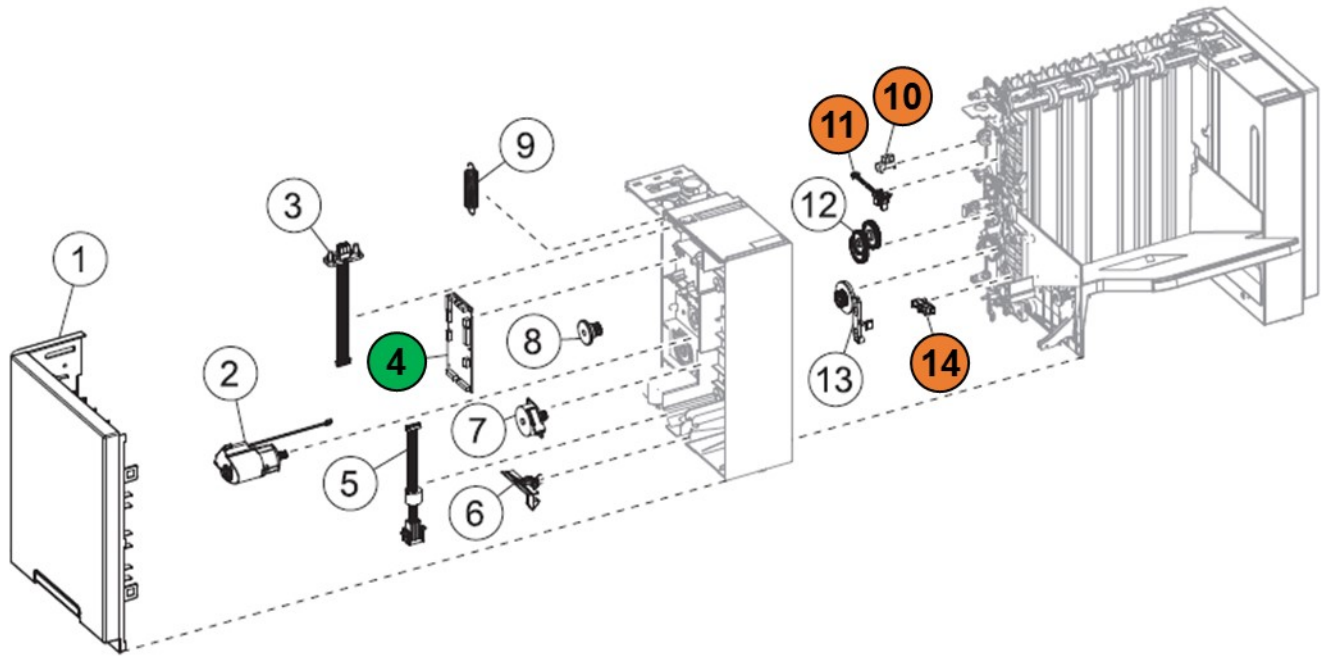
<b>Index</b>	<b>Description</b>
4	Sensor (media bin full) with flag



MS71x, MS81x Series  
Location

Printed Circuit Boards >10cm<sup>2</sup> and Brominated Plastic Components

High capacity output expander option 1

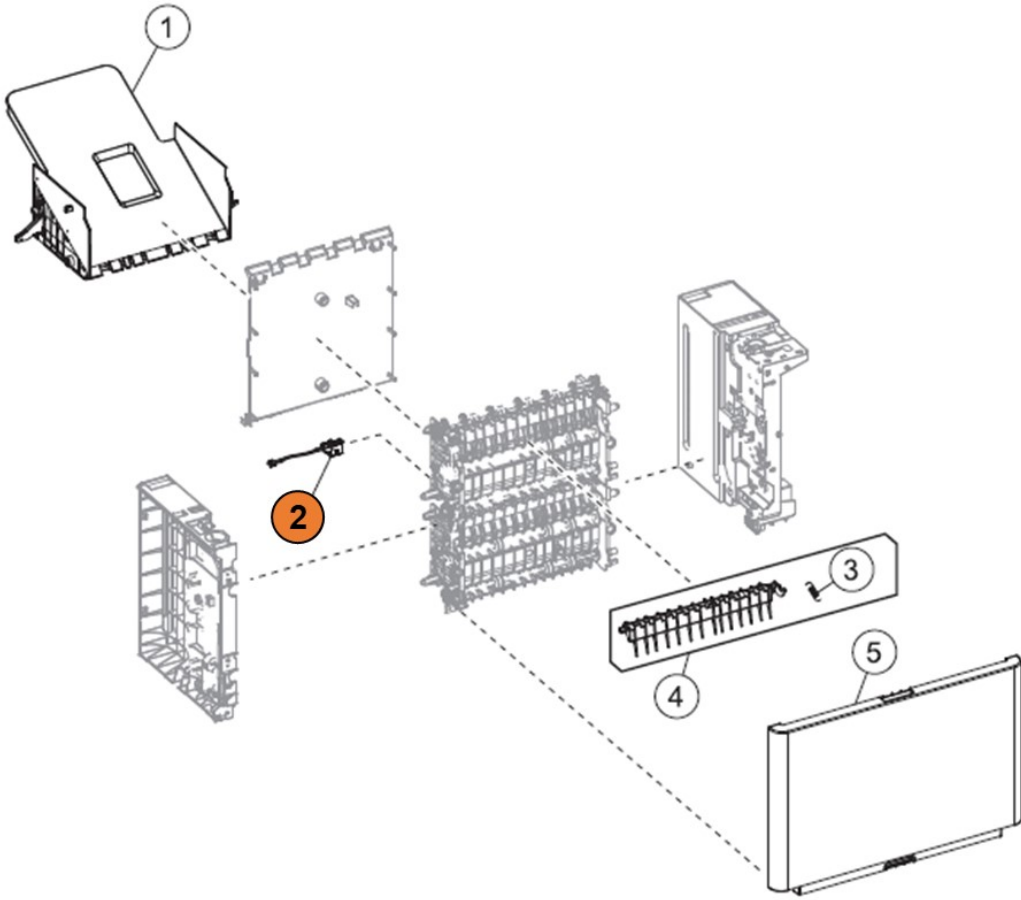


Index	Description
4	HCOE controller board
10	Sensor (HCOE rear door interlock)
11	Sensor (HCOE tray HP)
14	Sensor (HCOE diverter HP)

**MS71x, MS81x Series  
Location**

**Printed Circuit Boards >10cm<sup>2</sup> and Brominated Plastic Components**

**High capacity output expander option 3**

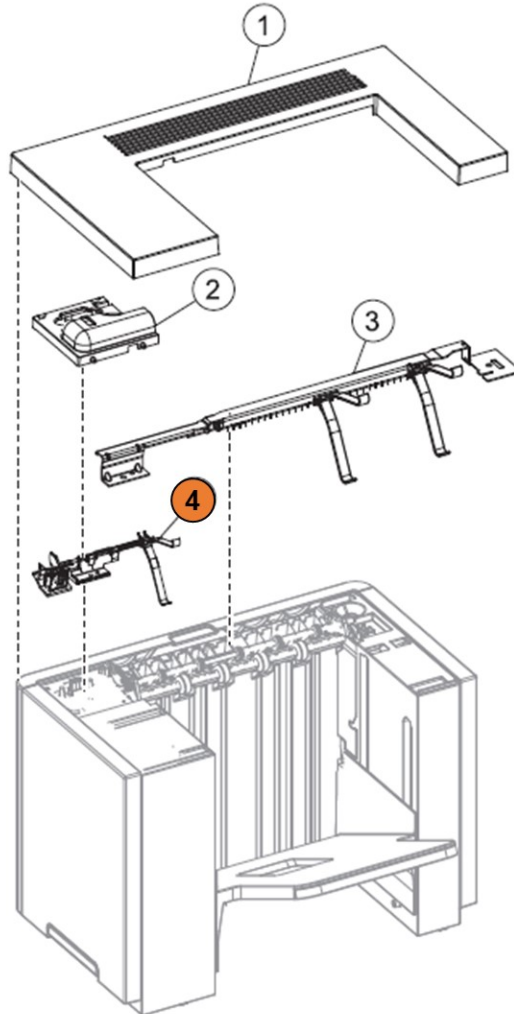


<b>Index</b>	<b>Description</b>
2	Sensor (HCOE pass through)

**MS71x, MS81x Series  
Location**

**Printed Circuit Boards >10cm<sup>2</sup> and Brominated Plastic Components**

**High capacity output expander option 4**

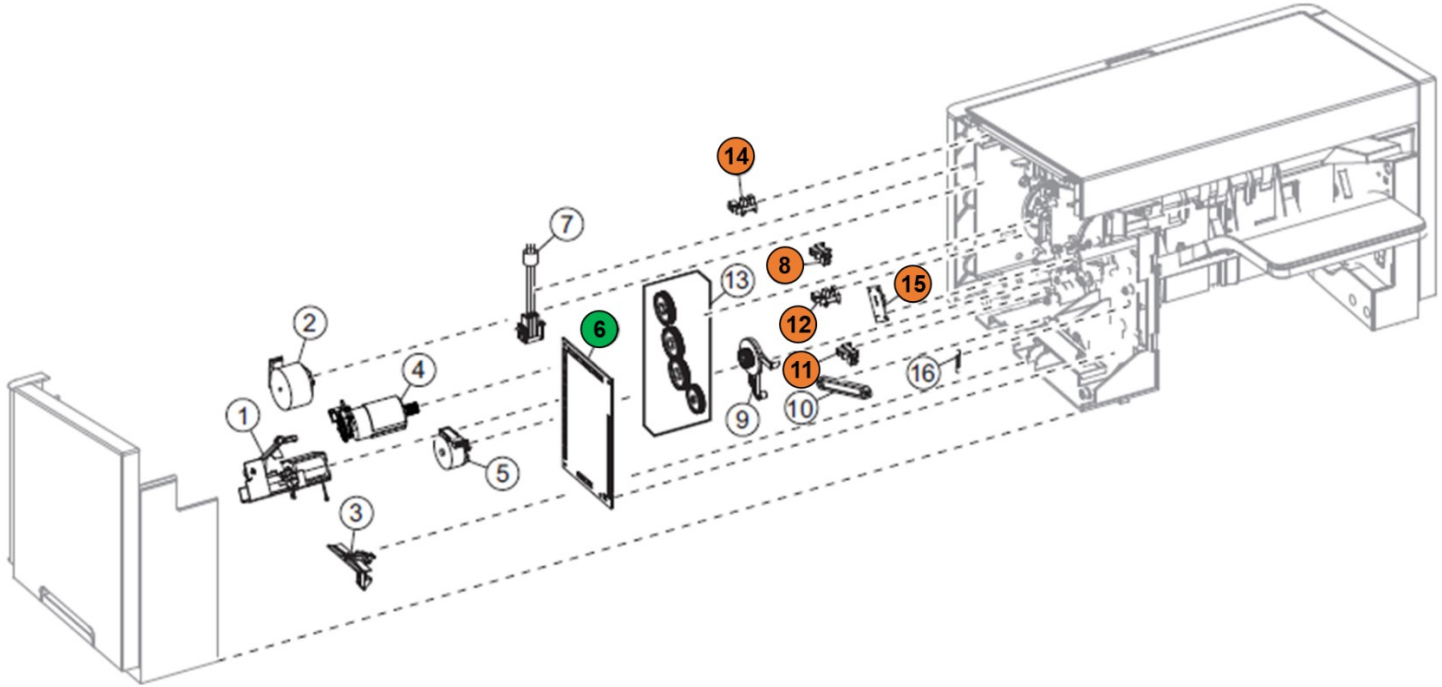


<b>Index</b>	<b>Description</b>
4	Sensor (HCOE media bin full) with flag

MS71x, MS81x, MX71x, MX81x Series  
Location

Printed Circuit Boards >10cm<sup>2</sup> and Brominated Plastic Components

Staple finisher option 1

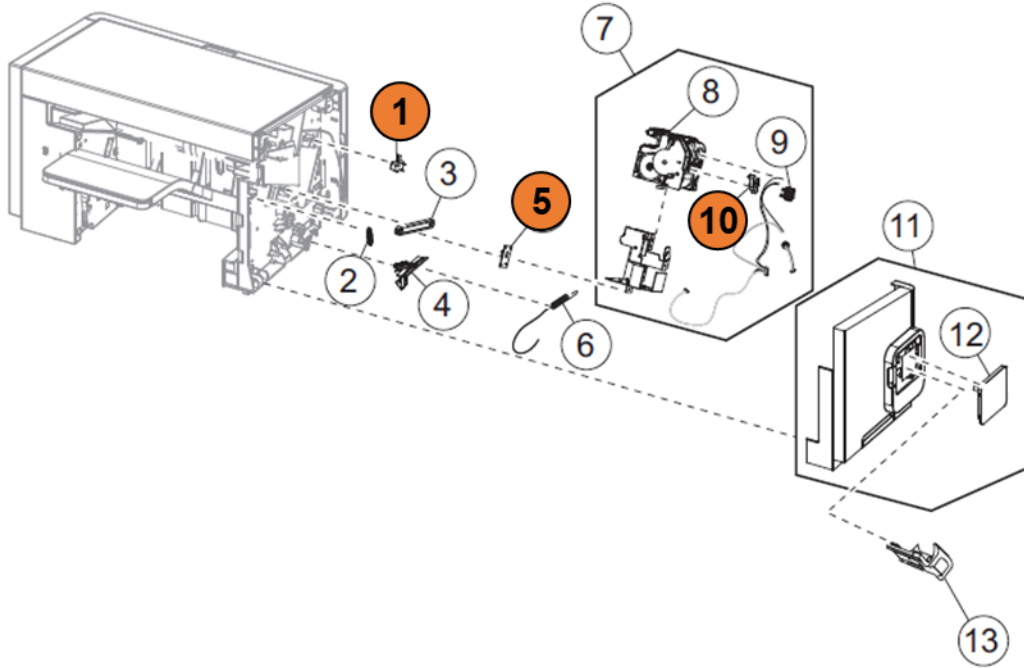


Index	Description
6	Stapler controller board
8	Sensor (media pusher HP)
11	Sensor (stapler diverter plunger HP)
12	Sensor (paddle motor HP)
14	Sensor (stapler rear door interlock)
15	Sensor (bin full receive)

MS71x, MS81x, MX71x, MX81x Series  
Location

Printed Circuit Boards >10cm<sup>2</sup> and Brominated Plastic Components

Staple finisher option 2

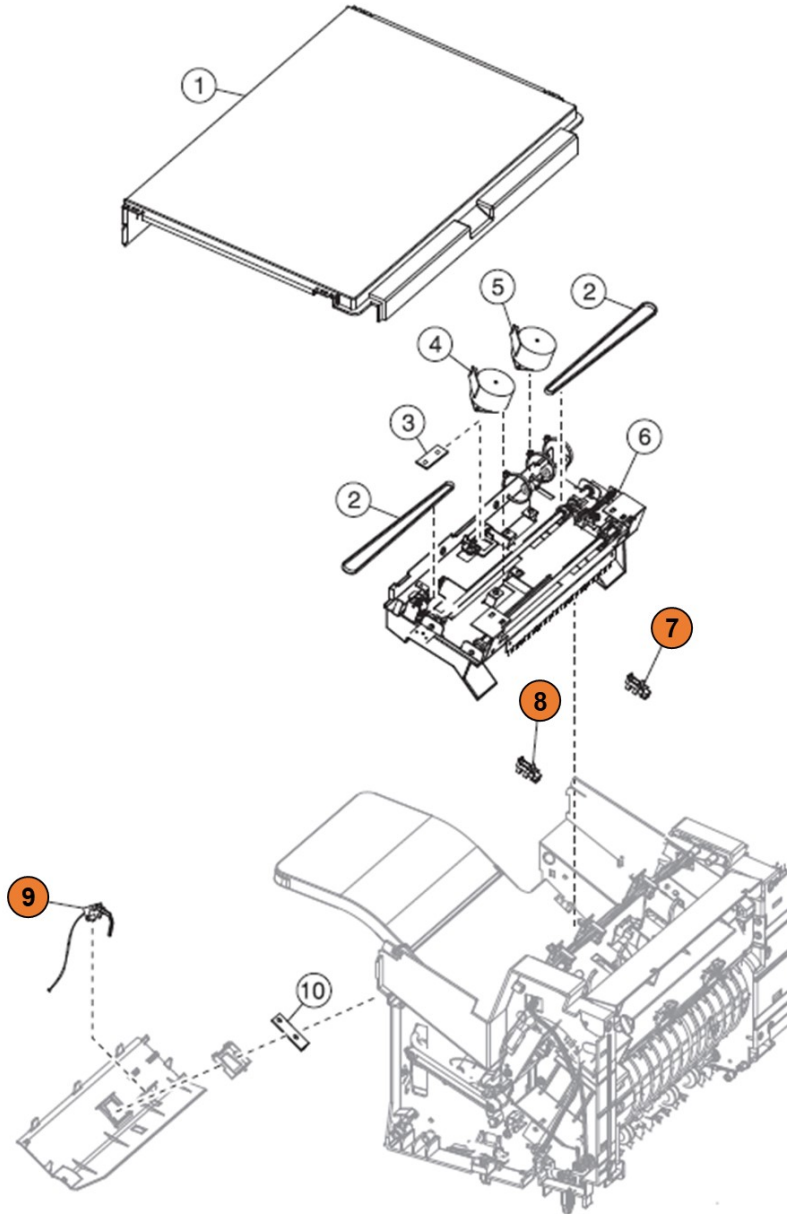


Index	Description
1	Sensor (throat media present)
5	Sensor (bin full send)
10	Sensor (cartridge door interlock)

MS71x, MS81x, MX71x, MX81x Series  
Location

Printed Circuit Boards >10cm<sup>2</sup> and Brominated Plastic Components

Staple finisher option 3

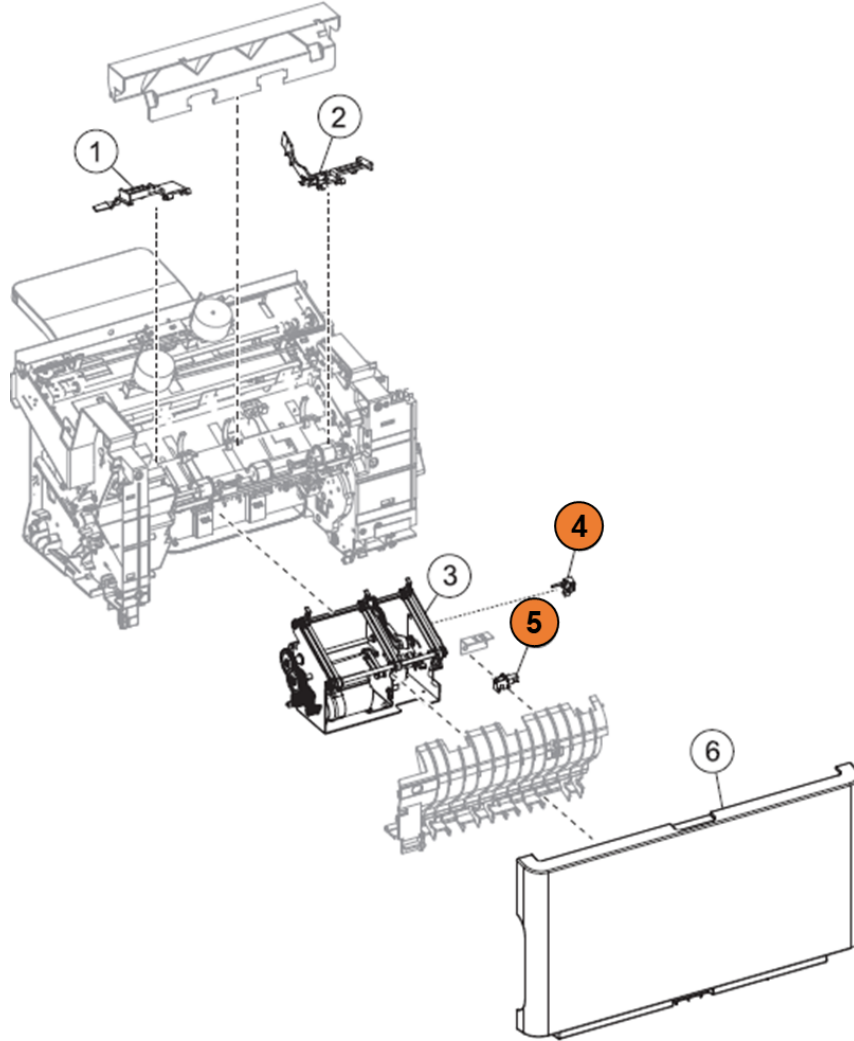


Index	Description
7	Sensor (left tamper motor HP)
8	Sensor (right tamper motor HP)
9	Sensor (finisher bin media present)

MS71x, MS81x, MX71x, MX81x Series  
Location

Printed Circuit Boards >10cm<sup>2</sup> and Brominated Plastic Components

Staple finisher option 4

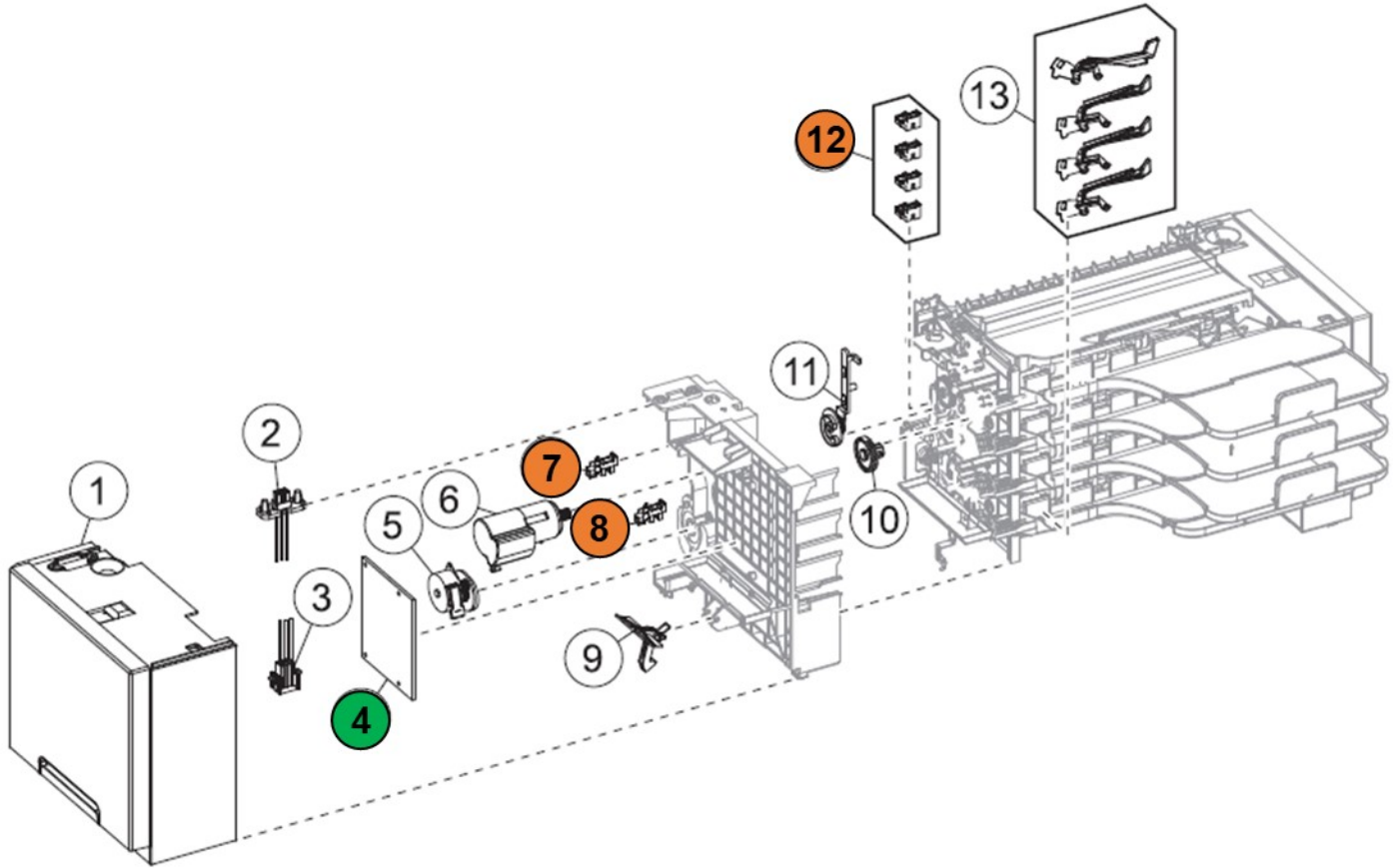


Index	Description
4	Sensor (stapler ejector HP)
5	Sensor (stapler pass through)

**MS71x, MS81x, MX71x, MX81x Series  
Location**

**Printed Circuit Boards >10cm<sup>2</sup> and Brominated Plastic Components**

**Mailbox option 1**



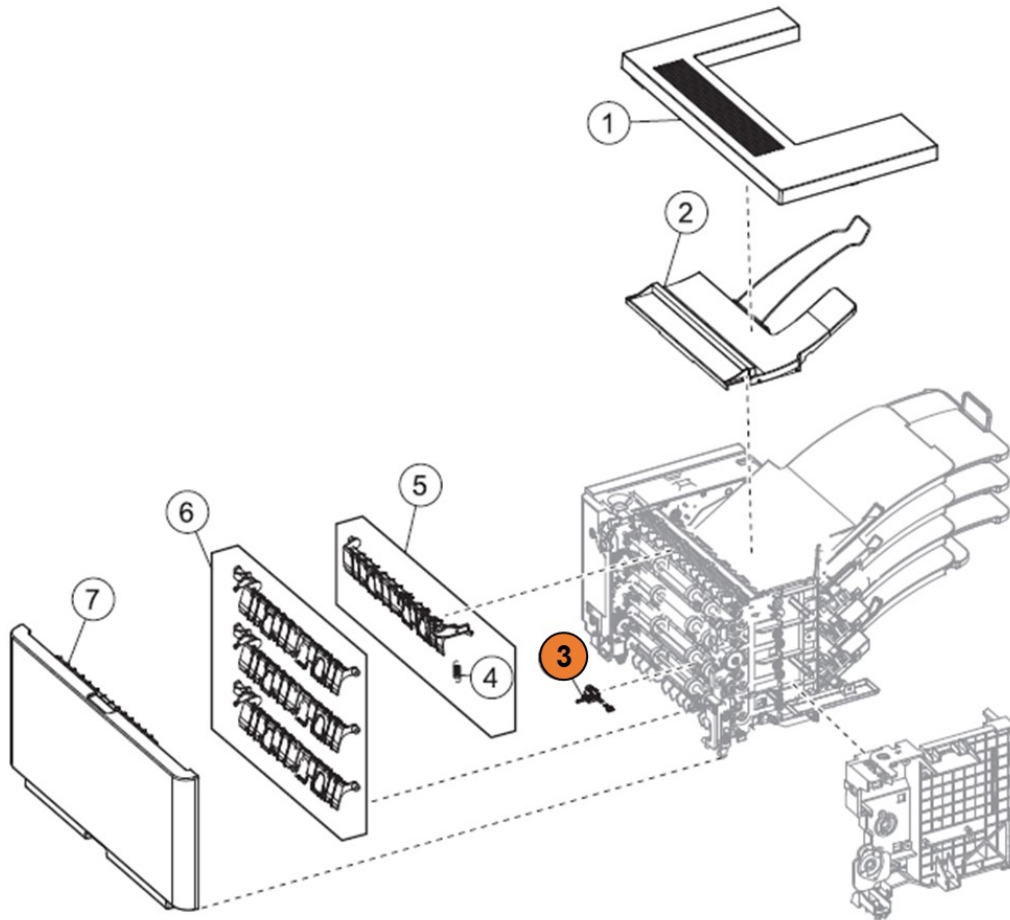
Index	Description
4	Mailbox controller board
7	Sensor (mailbox rear door interlock)
8	Sensor (mailbox diverter plunger HP)
12	Sensor (mailbox bin full receive)



MS71x, MS81x, MX71x, MX81x Series  
Location

Printed Circuit Boards >10cm<sup>2</sup> and Brominated Plastic Components

Mailbox option 3

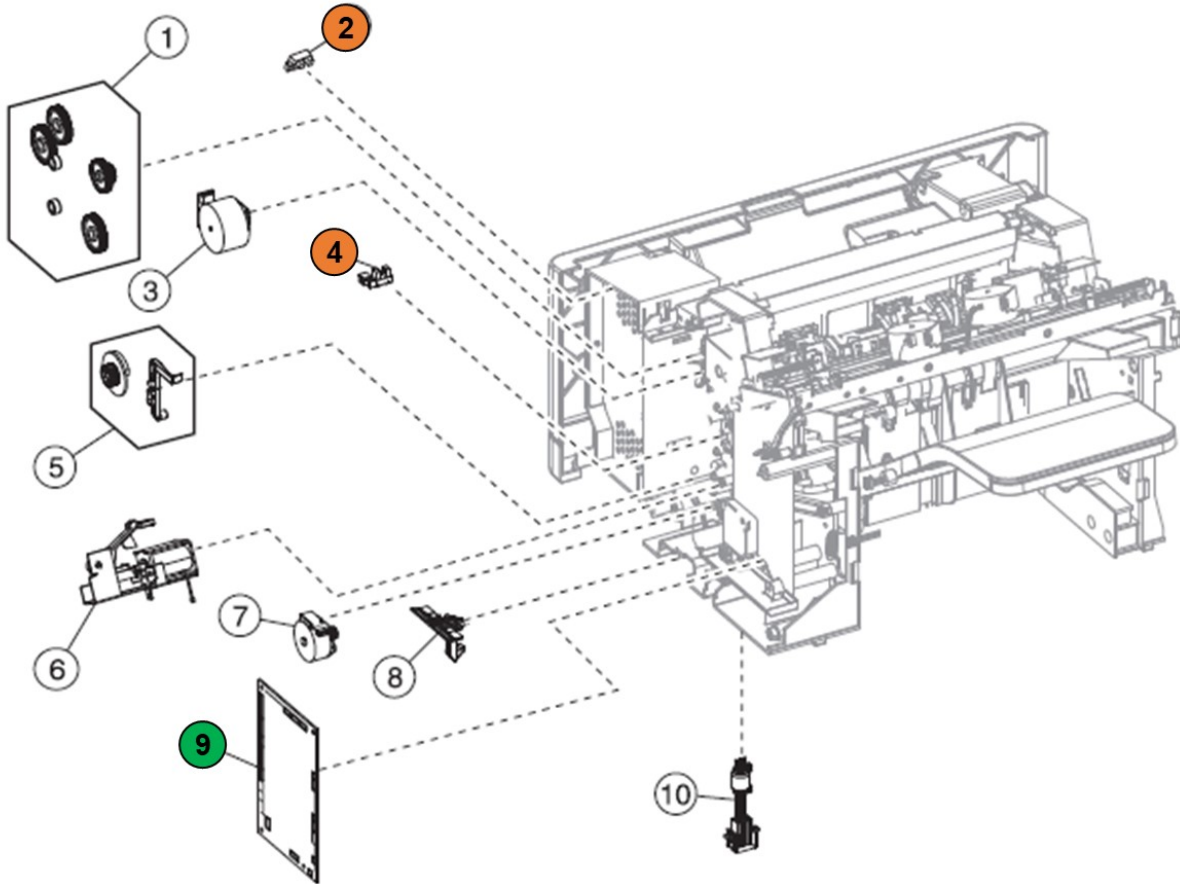


Index	Description
3	Sensor (mailbox pass through)

MS71x, MS81x, MX71x, MX81x Series  
Location

Printed Circuit Boards >10cm<sup>2</sup> and Brominated Plastic Components

Staple, hole punch finisher option 2

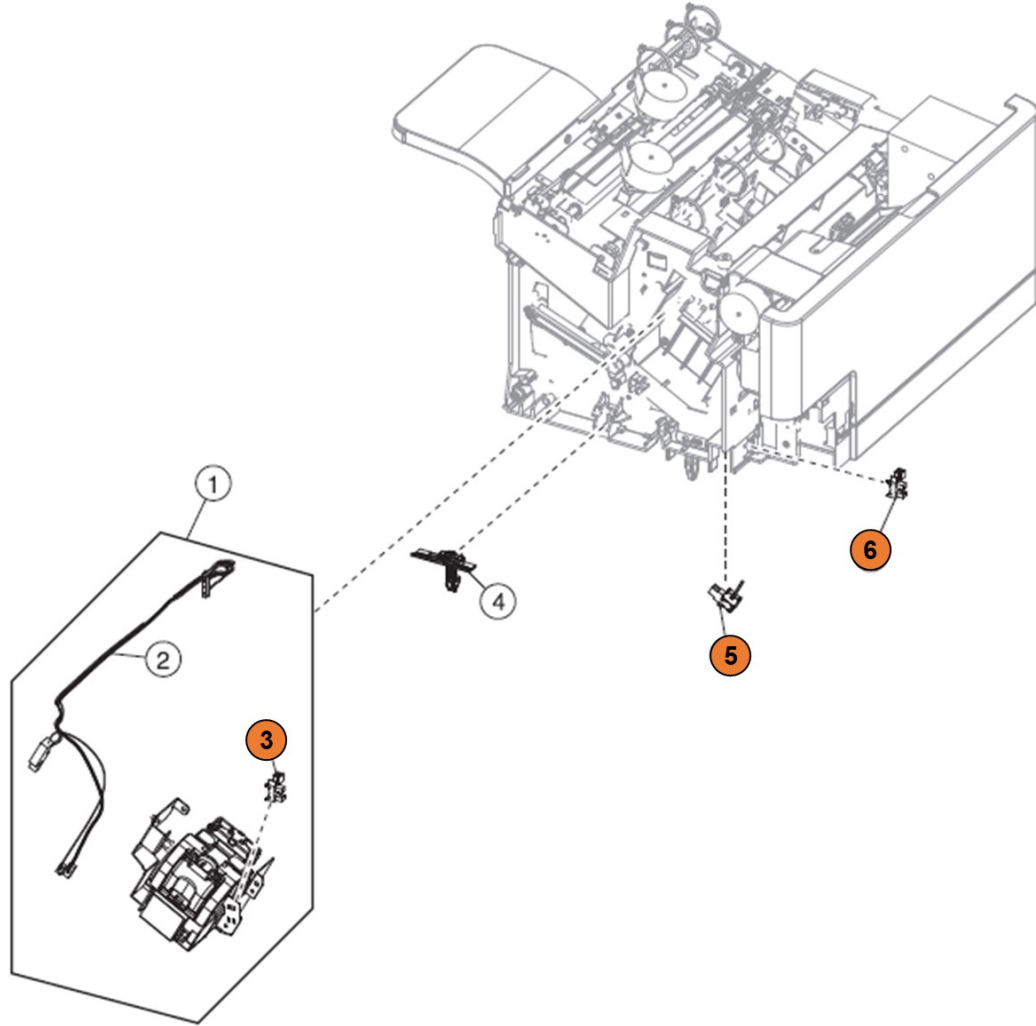


Index	Description
2	Sensor (HPU rear door interlock)
4	Sensor (paddle motor HP)
9	Staple, hole punch finisher controller board

**MS71x, MS81x, MX71x, MX81x Series  
Location**

**Printed Circuit Boards >10cm<sup>2</sup> and Brominated Plastic Components**

**Staple, hole punch finisher option 3**

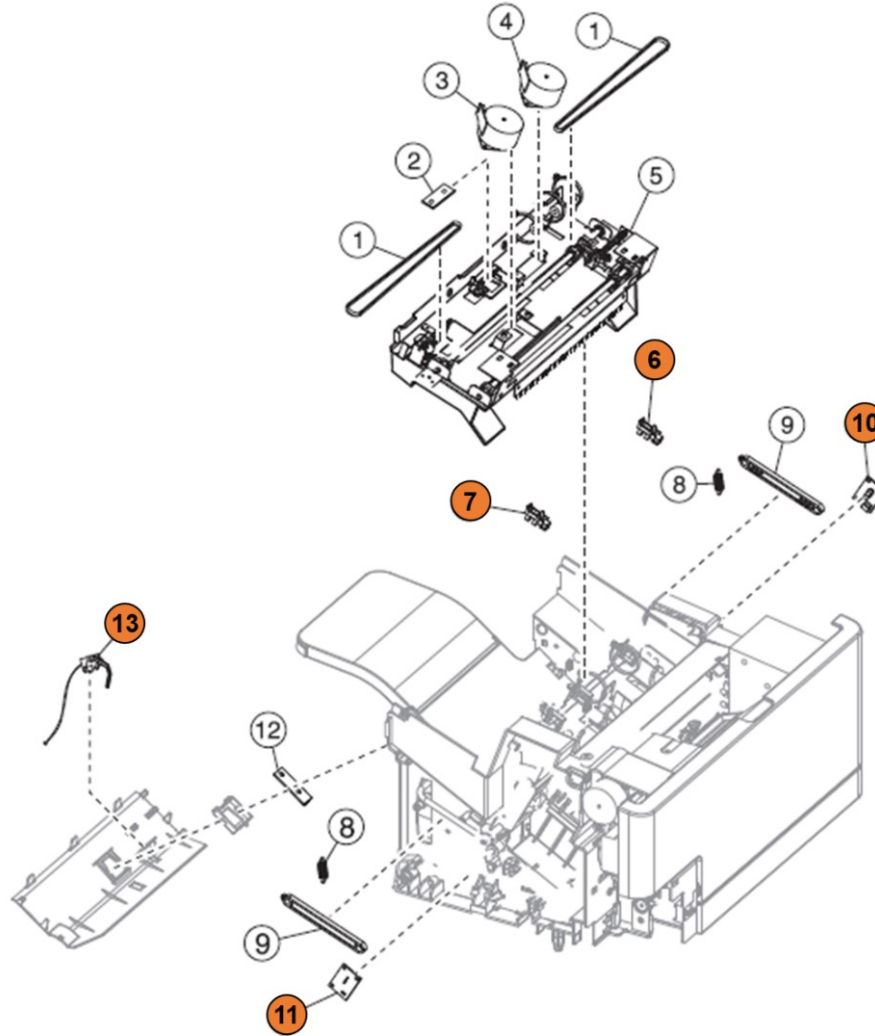


Index	Description
3	Sensor (cartridge door interlock)
5	Sensor (throat media present)
6	Sensor (hole punch box present)

MS71x, MS81x, MX71x, MX81x Series  
Location

Printed Circuit Boards >10cm<sup>2</sup> and Brominated Plastic Components

Staple, hole punch finisher option 4

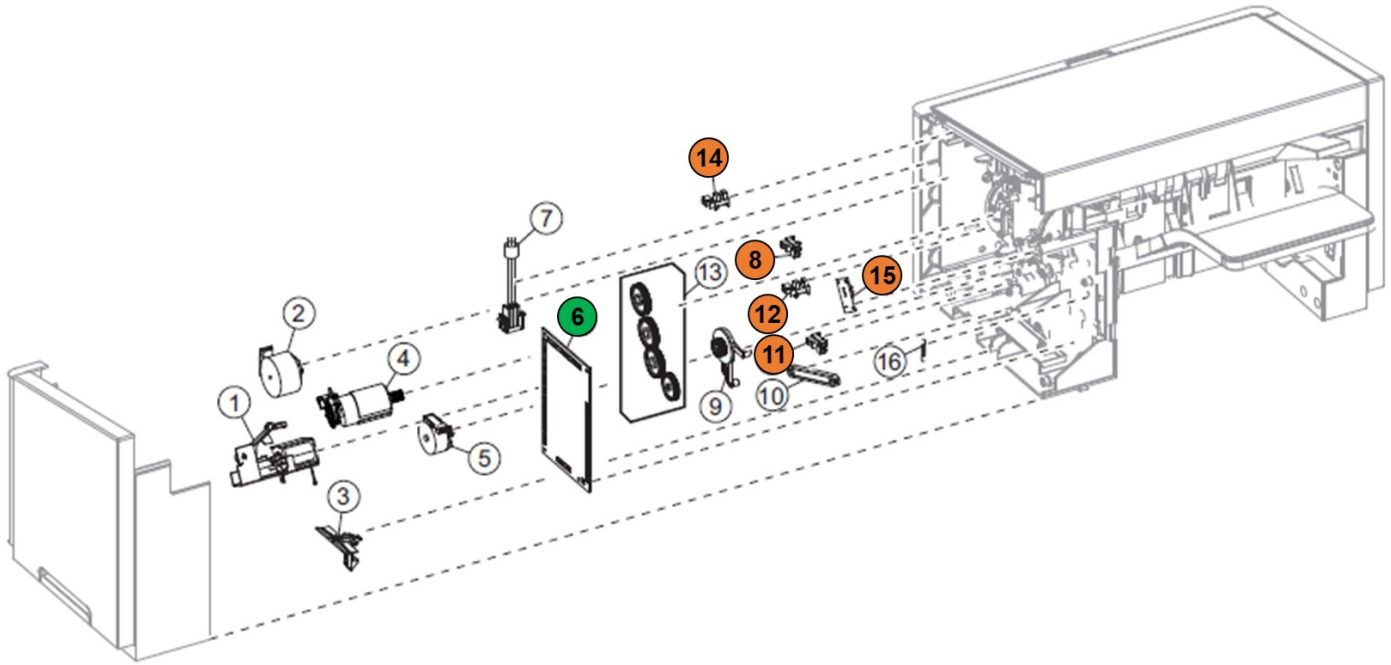


Index	Description
6	Sensor (left tamper motor HP)
7	Sensor (right tamper motor HP)
10	Sensor (bin full receive)
11	Sensor (bin full send)
13	Sensor (finisher bin media present)

**MX71x, MX81x Series  
Location**

**Printed Circuit Boards >10cm<sup>2</sup> and Brominated Plastic Components**

**Offset Stacker 1**

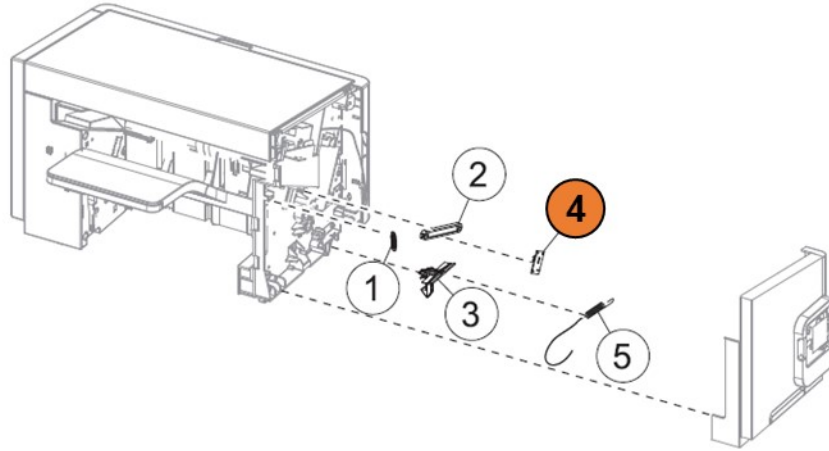


Index	Description
6	Stacker controller board
8	Sensor (media pusher HP)
11	Sensor (stapler diverter plunger HP)
12	Sensor (paddle motor HP)
14	Sensor (stacker rear door interlock)
15	Sensor (bin full receive)

**MX71x, MX81x Series  
Location**

**Printed Circuit Boards >10cm<sup>2</sup> and Brominated Plastic Components**

**Offset Stacker 2**

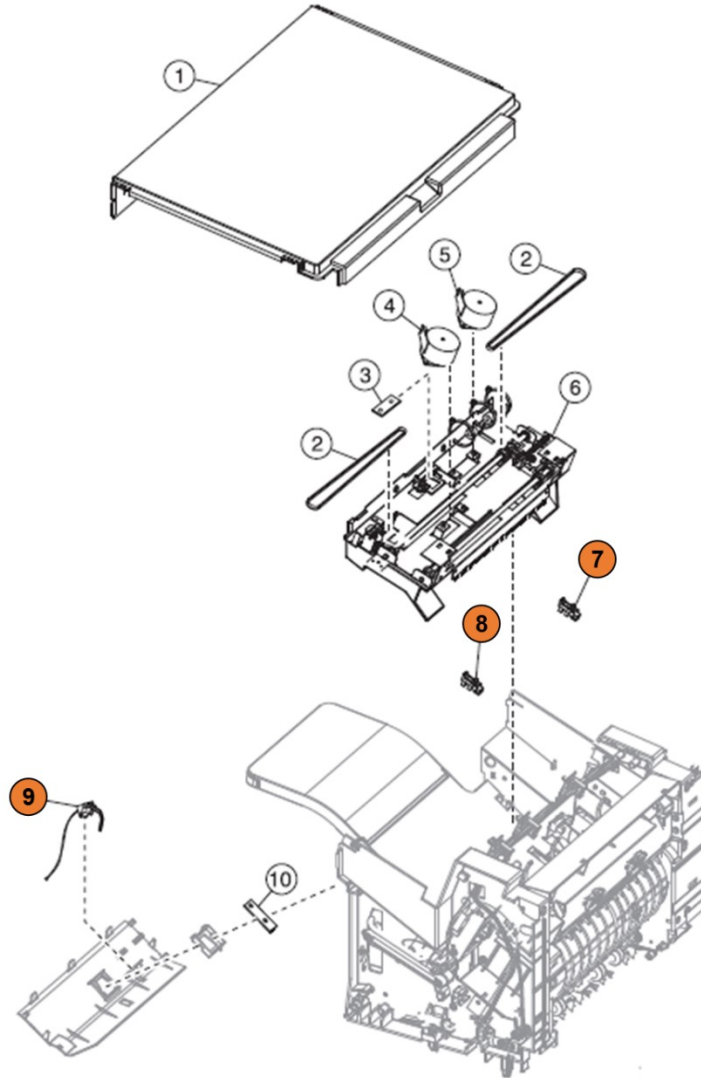


<b>Index</b>	<b>Description</b>
4	Sensor (bin full send)

**MX71x, MX81x Series  
Location**

**Printed Circuit Boards >10cm<sup>2</sup> and Brominated Plastic Components**

**Offset Stacker 3**

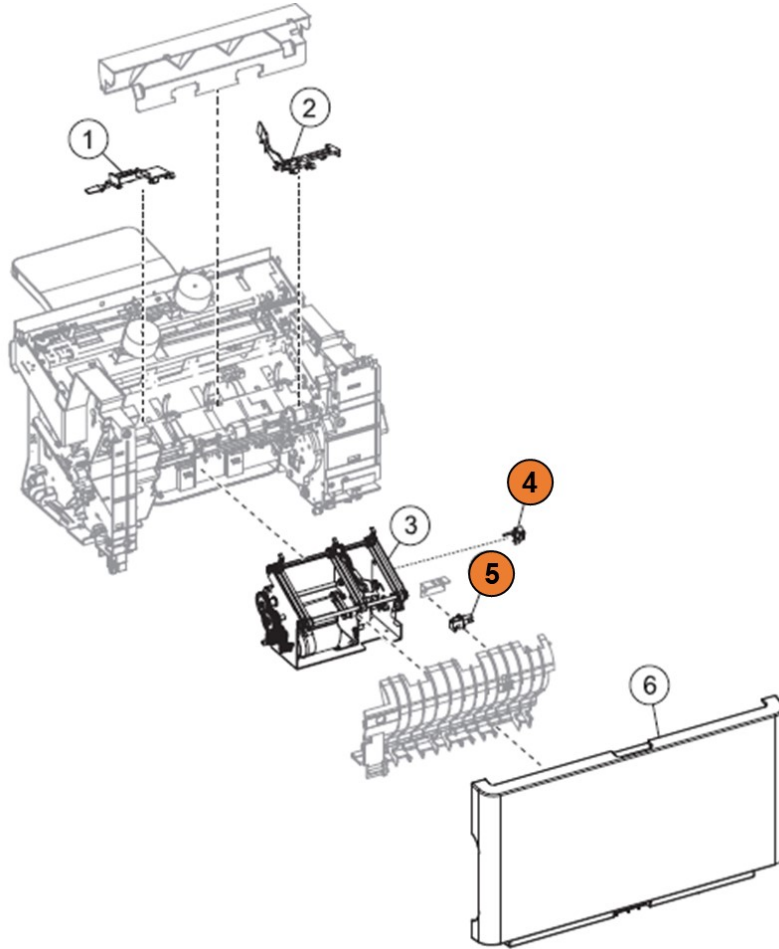


<b>Index</b>	<b>Description</b>
7	Sensor (left tamper motor HP)
8	Sensor (right tamper motor HP)
9	Sensor (finisher bin media present)

**MX71x, MX81x Series  
Location**

**Printed Circuit Boards >10cm<sup>2</sup> and Brominated Plastic Components**

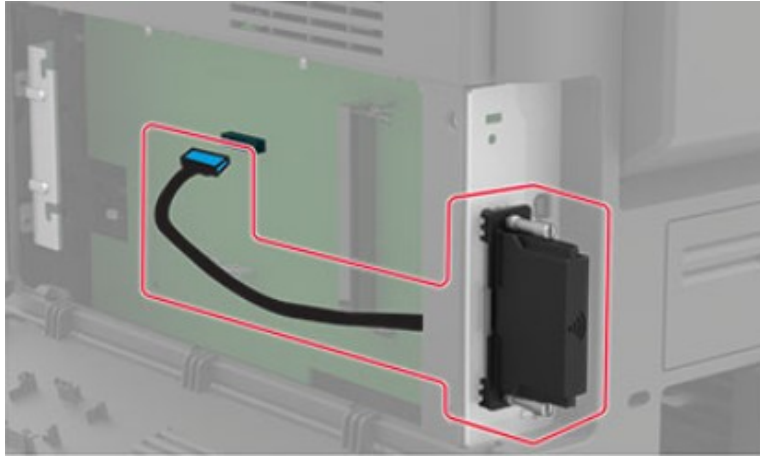
**Offset Stacker 4**



<b>Index</b>	<b>Description</b>
4	Sensor (stacker ejector HP)
5	Sensor (stacker pass through)



## External Options



### External Print Servers<sup>1</sup>

**Note 1:** Illustration shows actual options and their typical locations and mounting at the rear side of the printer. However, this does not show the actual printer model.

**Annex A – Printer components with Brominated Flame Retardants**

Index	Description	Parts Marking	Quantity	Location	
1	40G7743-BASE-FUSER WIPER HR	PET-(GF+MD)40 FR(17)	1	<a href="#">Fuser</a>	
2	50G8521-Lower Exit HR	PA66-GF30 FR(17)	1		
	50G4018-LOWER EXIT - FUSER	PA66-GF30 FR(17)	1		
3	50G8570-Entry HR	PA66-GF30 FR(17)	1		
	40G4044-INPUT - LOWER - FUSER	PA66-GF30 FR(17)	1		
4	50G4021-UPPER EXIT - FUSER	PA66-GF30 FR(17)	1		
5	40G6140-PLATE: TRANSFER	PC-CD15 FR(16)	1	<a href="#">Electronics</a>	
6	Sensor (toner density)	N/A	1		
7	Sensor (input)	N/A	1		
8	Sensor (control panel interlock)	N/A	1		
9	Sensor (standard bin full)	N/A	1		
10	Interrupt sensor	N/A	1		
11	Duplex cooling fan	N/A	1		<a href="#">Drive Motors</a>
12	Cartridge cooling fan	N/A	1		
13	Fuser drive motor	N/A	1		
14	Main drive motor	N/A	1		
15	Main cooling fan with cable	N/A	1		
16	Fuser cooling fan	N/A	1		
17	Sensor (duplex path)	N/A	1	<a href="#">Duplex</a>	
18	Sensor (media size)	N/A	1	<a href="#">Frame</a>	
19	Interrupt sensor (pick roller position)	N/A	1	<a href="#">Paper Tray</a>	
20	Interrupt sensor (media empty)	N/A	1		

## Annex B – ADF and Scanner components with Brominated Flame Retardants

Index	Description	Parts Marking	Quantity	Location
1	MF sensor within the assembly	N/A	1	<a href="#">ADF Covers</a>
2	Interrupt sensors	N/A	2	<a href="#">ADF Mechanical</a>
3	Ultrasonic Multifeed sensors	N/A	2	<a href="#">ADF Electronics</a>
4	Sensor (ADF media present)	N/A	1	
5	Interrupt w/flag sensor (ADF exit)	N/A	1	
6	Push button switch sensor (ADF closed)	N/A	1	
7	Interrupt w/ flag sensor (ADF 2 <sup>nd</sup> scan)	N/A	1	
8	Sensor (ADF lower door interlock)	N/A	1	
9	Sensor (ADF top door interlock)	N/A	1	
10	Sensor (ADF 1st scan)	N/A	1	
11	Sensor (ADF skew detect)	N/A	1	
12	Sensor (ADF gap detect)	N/A	1	
13	Sensor (ADF pick)	N/A	1	

## Annex C – Paper handling options components with Brominated Flame Retardants

Index	Description	Parts Marking	Quantity	Location
	250-sheet Tray Option sensors	N/A	5	<a href="#">250/550-Sheet Tray Option</a>
	550-sheet Tray Option sensors	N/A	5	
	High capacity input tray option sensors	N/A	3	<a href="#">High capacity input tray option</a>
	Output expander option sensors	N/A	4	<a href="#">Output expander option 1-4</a>
	High capacity output expander option sensors	N/A	5	<a href="#">High capacity output expander option 1-4</a>
	Staple finisher option sensors	N/A	13	<a href="#">Staple finisher option 1-4</a>
	Mailbox option sensors	N/A	4	<a href="#">Mailbox option 1-3</a>
	Staple, hole punch finisher option sensors	N/A	10	<a href="#">Staple, hole punch finisher option 2-4</a>
	Offset Stacker sensors	N/A	11	<a href="#">Offset Stacker 1-4</a>

## Annex D – Printer, ADF and Scanner Printed Circuit Boards >10cm<sup>2</sup>

Index	Description	Quantity	Location	MS71x/ MS81x	MX71x/ MX81x
1	Control panel board (2.4" display only)	1	<a href="#">MS Series Control panel</a>	X	
	Control panel board (4.3" tilting display only)	1		X	
	Control panel board (7" tilting display only)	1		X	
	7-inch Control panel board	1	<a href="#">MX Series Control panel</a>		X
	10.1-inch Control panel board	1			X
2	Hot roll fuser card	1	<a href="#">Fuser</a>	X	X
	Belt fuser card	1		X	X
3	LVPS (universal)	1	<a href="#">Electronics</a>	X	X
4	HVPS	1		X	X
5	Controller board	1		X	X
6	Laser printhead card	1		X	X
7	HDD card	1	Attached to <a href="#">Controller board</a>	X	X
8	Fax card	1		X	X
9	Multi-Feed Detection boards	2	<a href="#">ADF Electronics</a>		X
10	ADF controller card	1			X
11	ADF CCD scanner board	1			X
12	Flatbed scanner board	1	<a href="#">Flatbed scanner</a>		X
13	Flatbed scanner CCD board within	1			X

## Annex E – Paper handling options Printed Circuit Boards >10cm<sup>2</sup>

Index	Description	Quantity	Location	MS71x/ MS81x	MX71x/ MX81x
1	250-sheet tray option controller board	1	<a href="#">250/550-Sheet Tray Option</a>	X	X
2	550-sheet tray option controller board	1		X	X
3	HCIT controller board	1	<a href="#">High capacity input tray option</a>	X	X
4	Output expander controller board	1	<a href="#">Output expander option 1</a>	X	
5	HCOE controller board	1	<a href="#">High capacity output expander option 1</a>	X	
6	Stapler controller board	1	<a href="#">Staple finisher option 1</a>	X	
7	Mailbox controller board	1	<a href="#">Mailbox option 1</a>	X	
8	Staple, hole punch finisher controller board	1	<a href="#">Staple, hole punch finisher option 2</a>	X	
9	Stacker controller board	1	<a href="#">Offset Stacker 1</a>	X	

## Annex F – Electrical and Electronic (EE) Customer Replaceable Devices

Index	PN	Description	Locations	MS71x/ MS81x	MX71x	MX81x
1	40G0800	250-Sheet Tray	<a href="#">MS Series Paper handling devices</a>  <a href="#">MX Series Paper handling devices</a>	X	X	
2	40G0801	250-Sheet Tray Insert		X	X	
3	40G0802 24T7300	550-Sheet Tray		X	X	X
4	40G0803	550-Sheet Tray Insert		X	X	
5	40G0804 24T7350	2100-Sheet Tray		X	X	X
6	40G0820	250-Sheet Lockable Tray		X	X	
7	40G0822	550-Sheet Lockable Tray		X	X	
8	40G0849	Staple, Hole Punch Finisher		X		
9	40G0850	Staple Finisher		X		
10	40G0851	Output Expander		X		
11	40G0852	4-Bin Mailbox		X		
12	40G0853	High Capacity Output Expander		X		
13	40X8421 40X8424 40X8426 40X8429 40X7744 40X7734 40X8017 40X8020	Maintenance kit (Fuser only)/ Fuser	<a href="#">Fuser</a>	X	X	X

## Annex G – Electrical and Electronic (EE) Customer Replaceable Internal/ External Card Options

Index	PN	Description	Locations	MS710/ MS810	MX710	MX810
1	57X9016 57X9012 57X9101 27X0200	Memory options	Attached to <a href="#">Controller board</a>	X	X	X
2	57X9110 57X9112 57X9114 57X9115	Font cards		X	X	X
3	40G0810 40G0830 40G0840 40G0811 40G0831 40G0841 40G0817 40G0837 40G0847	Firmware cards		X	X	X
4	14F0037 27X0225	Internal print servers		X	X	X
5	14F0100 14F0000	Interface cards		X	X	X
6	14T0230 14T0240 14T0220	External print server		<a href="#">External print servers</a>	X	X