



Disassembly of Waste Electrical and Electronic Equipment (WEEE) Manual

EU Waste Electronic and Electrical Equipment Directive require producers to provide information of the different electronic and electrical materials and components found in their products at its end-of-life, and disassembly references to treatment and recycling facilities.

The disassembly information for this product has been prepared for use by a recognized treatment or recycling facility and is not intended to be used by others.

1. Product information
2. Materials and components list for selective treatment
3. Disassembly tools
4. Disassembly references

The following information is intended only for the use of treatment and recycling facilities.

1. Product information

Model name(s)—Indicate all model name(s) within the product family

Model name

Lexmark MS310 series –

Lexmark MS310d, Lexmark MS310dn, Lexmark MS312dn, Lexmark MS315dn, Lexmark MS317dn

Lexmark MS410 series –

Lexmark MS410d, Lexmark MS410dn, Lexmark MS415dn (Lexmark M1140, Lexmark M1140+)

Lexmark MS51x series –

Lexmark MS510dn ((Lexmark M1145), Lexmark MS517dn

Lexmark MS61x series –

Lexmark MS610dn , Lexmark MS610dtn, Lexmark MS610de (Lexmark M3150), Lexmark MS617dn, Lexmark M1145

Lexmark MX31x series –

Lexmark MX310dn, Lexmark MX317dn

Lexmark MX41x series –

Lexmark MX410de, Lexmark MX417de

Lexmark MX51x series –

Lexmark MX510de, Lexmark MX511de (Lexmark XM1145), Lexmark MX511dte, Lexmark 511dhe, Lexmark MX517de

Lexmark MX61x series –

Lexmark MX610de, Lexmark MX611de (Lexmark XM3150), Lexmark MX611dte, Lexmark MX611dhe, Lexmark MX617de

** Add rows as needed*

2. Materials and components list for selective treatment

Items	Quantity	Notes
Polychlorinated biphenyls (PCB) containing capacitors	0	N/A
Mercury containing components, such as switches or backlighting lamps	0	N/A
Batteries	1	Lithium Manganese Dioxide coin cell located on the Controller card in Lexmark MS310 , MS410 , MS510 , MS610 , MX Series
Printed circuit boards greater than 10 cm ²	multiple	5 – All Lexmark MS series 7 – Lexmark MX31x, MX410, MX51x 8 – Lexmark MX61x series Paper handling devices: 1 – 250/ 550 Sheet tray 2 – MX61x Staple finisher See details in Annex C
Toner cartridges, liquid and pasty, as well as colour toner	2	1 – Toner cartridge 1 – Imaging unit
Plastic containing brominated flame retardants	multiple	15 – Lexmark MS31x, MS410 18 – Lexmark MS51x, MS61x and all MX Series models See details in Annex A and Annex B
Asbestos waste and components which contain asbestos	0	N/A
Cathode ray tubes	0	N/A
Chlorofluorocarbons (CFC), Hydrochlorofluorocarbons (HCFC) or Hydrofluorocarbons (HFC), Hydrocarbons (HC)	0	N/A
Gas discharge lamps	0	N/A
Liquid Crystal Display (LCD) greater than 100 cm ² and those back-lighted with Gas discharge lamps	0	N/A
External electrical cables	1	Power cord located on the back lower left quadrant
Components containing refractory fibres	0	N/A
Components containing radioactive substances	0	N/A
Electrolyte capacitors containing substances of concern (<i>capacitors with height > 25 mm, diameter > 25 mm or proportionately similar volume</i>)	1	Capacitor located on Power Supply
Electrical and Electronic (EE) Customer Replaceable Paper handling devices	multiple	See details in Annex D
Electrical and Electronic (EE) Customer Replaceable Internal/External Card options	multiple	See details in Annex E

3. Disassembly tools

Item Description

#2 Phillips screwdriver, magnetic

Wire cutter

E-clip puller or small flat-head screwdriver

Standard slotted head screwdriver

4. Disassembly references

4.1. Removal procedure(s)

WEEE materials and components removal procedures are available upon request.

Contact: recycling@lexmark.com

4.2. Graphical illustration of material's and component's location

1

LCD >100 cm² are identified with cyan-filled boxes

2

PCBs >10 cm² are identified with green-filled boxes

3

Printer components containing Brominated flame retardants are identified with orange-filled boxes

**MS/MX 310, 410, 510, 610 Series
Locations**

Toner Cartridge



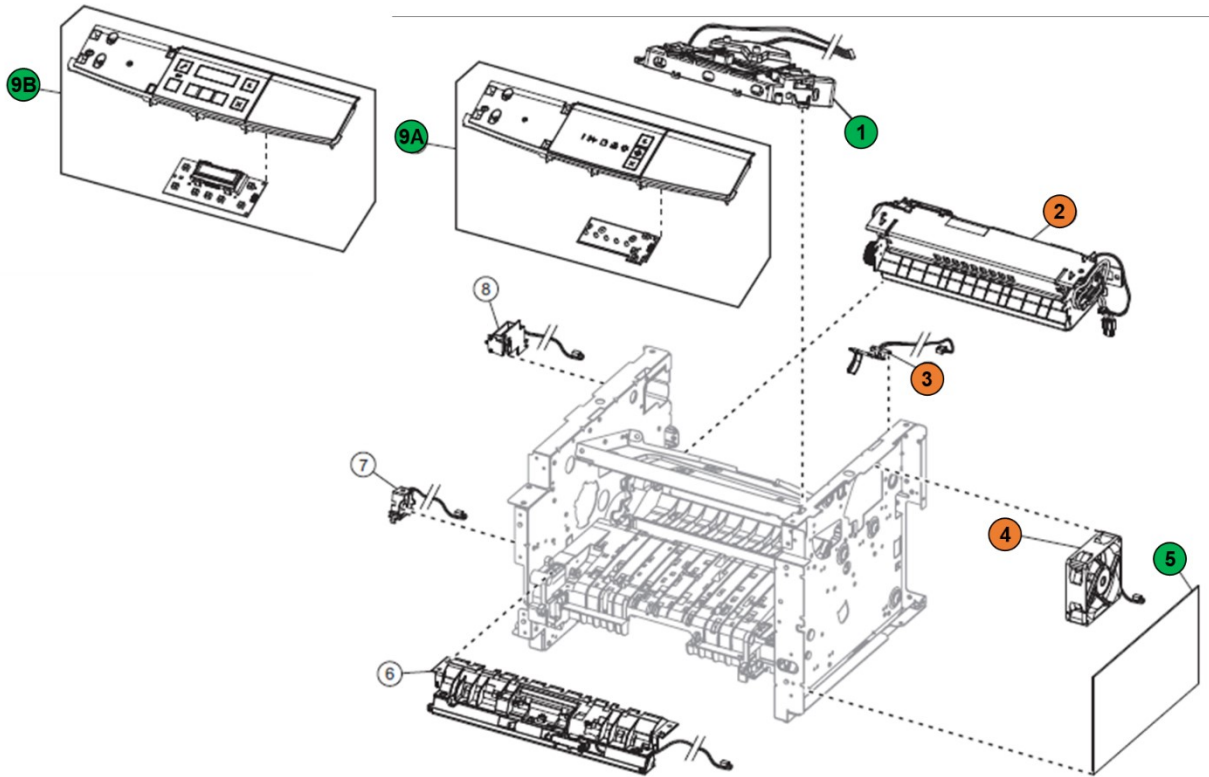
Imaging Unit



**MS/MX 310, 410, 510, 610 Series
Locations**

Printed Circuit Boards >10cm² and Brominated Plastic Components

MS31x and MS410 Op panel and Electronics 1

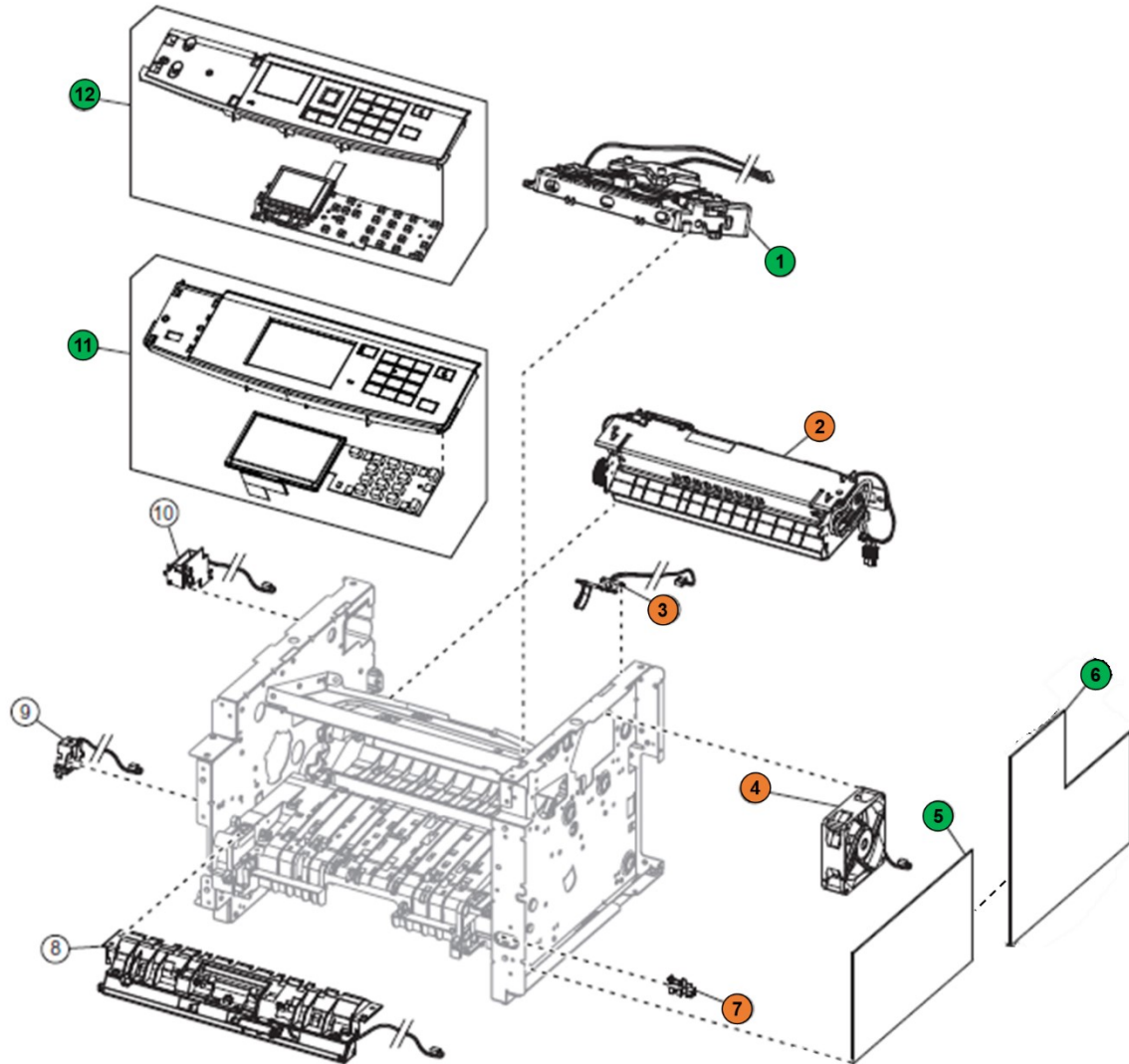


Index	Description
1	Laser scanning unit card within the assembly
2	Brominated fuser parts (See Fuser)
3	Narrow media/bin full sensor
4	Cooling fan
5	Controller board
9A	Control panel board within the assembly for MS31x
9B	Control panel board within the assembly for MS410

**MS/MX 310, 410, 510, 610 Series
Locations**

Printed Circuit Boards >10cm² and Brominated Plastic Components

MS510 and MS61x Op panel and Electronics 1

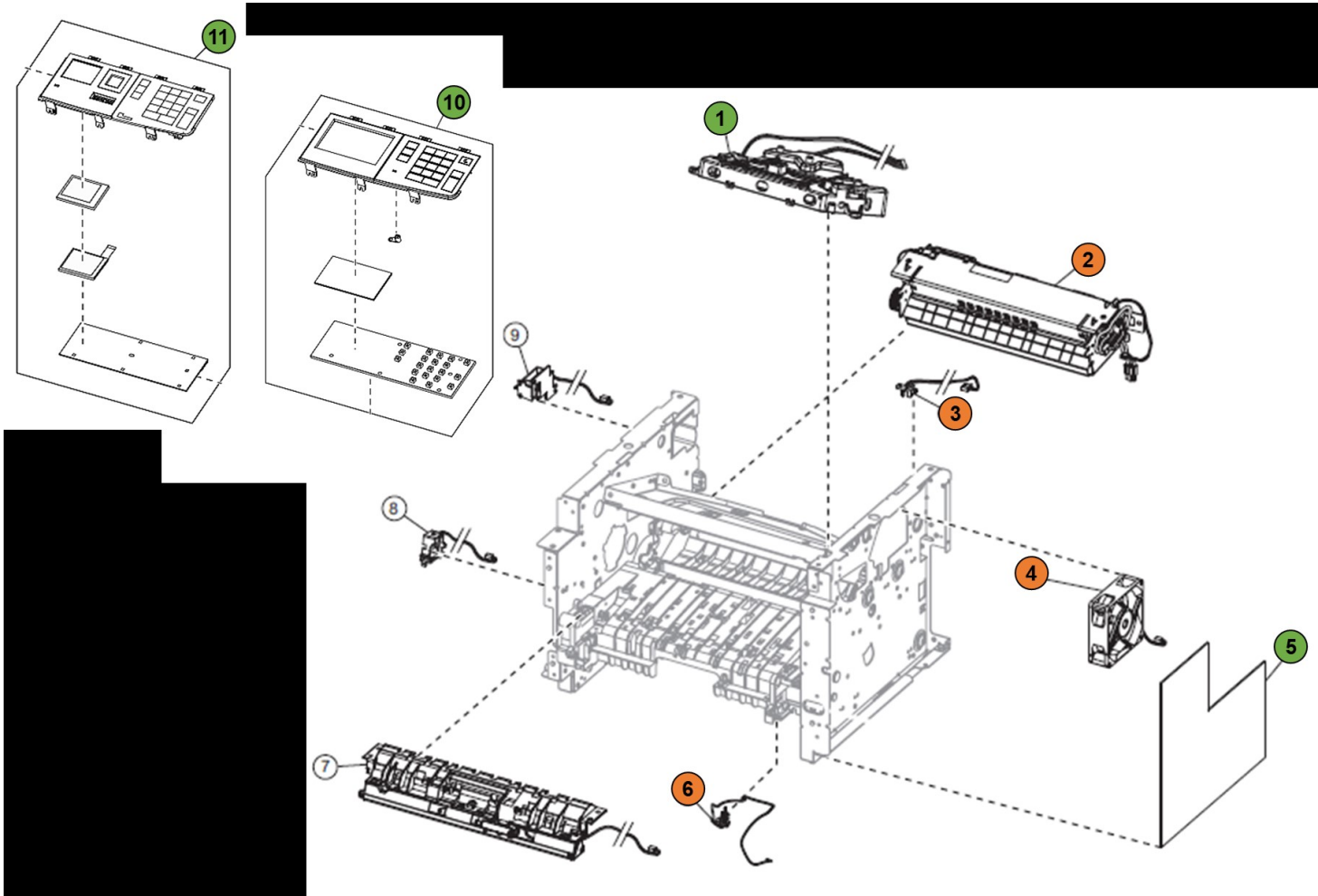


Index	Description
1	Laser scanning unit card within the assembly
2	Brominated fuser parts (See Fuser)
3	Narrow media/bin full sensor
4	Cooling fan
5	Controller board for MS510, MS610dn
6	Controller board for MS610de
7	Tray present sensor
11	Control panel board within the assembly for MS310
12	Control panel board within the assembly for MS410

**MS/MX 310, 410, 510, 610 Series
Locations**

Printed Circuit Boards >10cm² and Brominated Plastic Components

MX31x, MX410, MX51x Series Control panel and Electronics 1

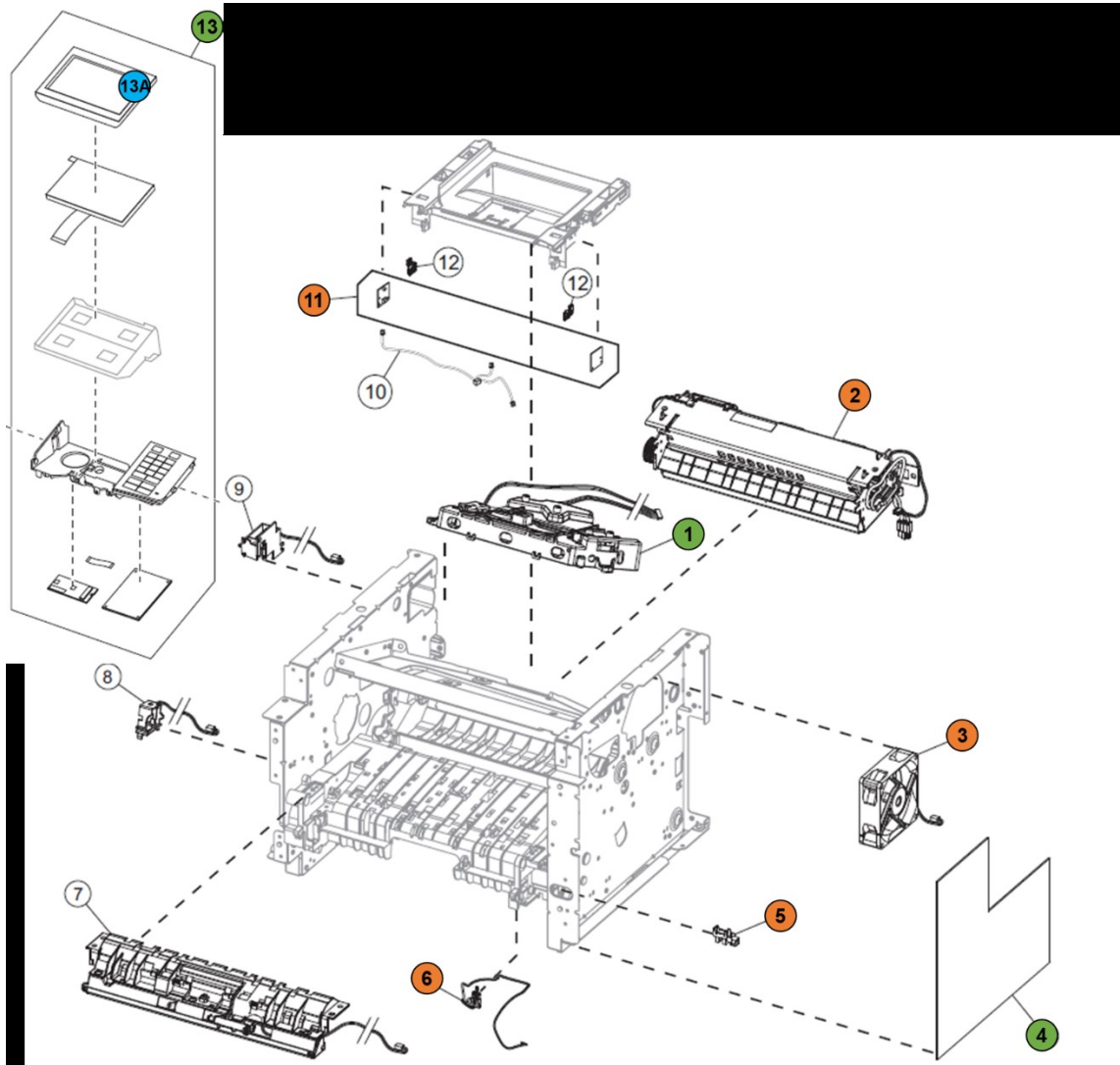


Index	Description
1	Laser scanning unit card within the assembly
2	Brominated fuser parts (See Fuser)
3	Bin full sensor
4	Cooling fan
5	Controller board
6	Narrow media sensor
10	Control panel board within the assembly for MX410, MX51x
11	Control panel board within the assembly for MX31x

**MS/MX 310, 410, 510, 610 Series
Locations**

Printed Circuit Boards >10cm² and Brominated Plastic Components

MX61x Series Control panel and Electronics 1

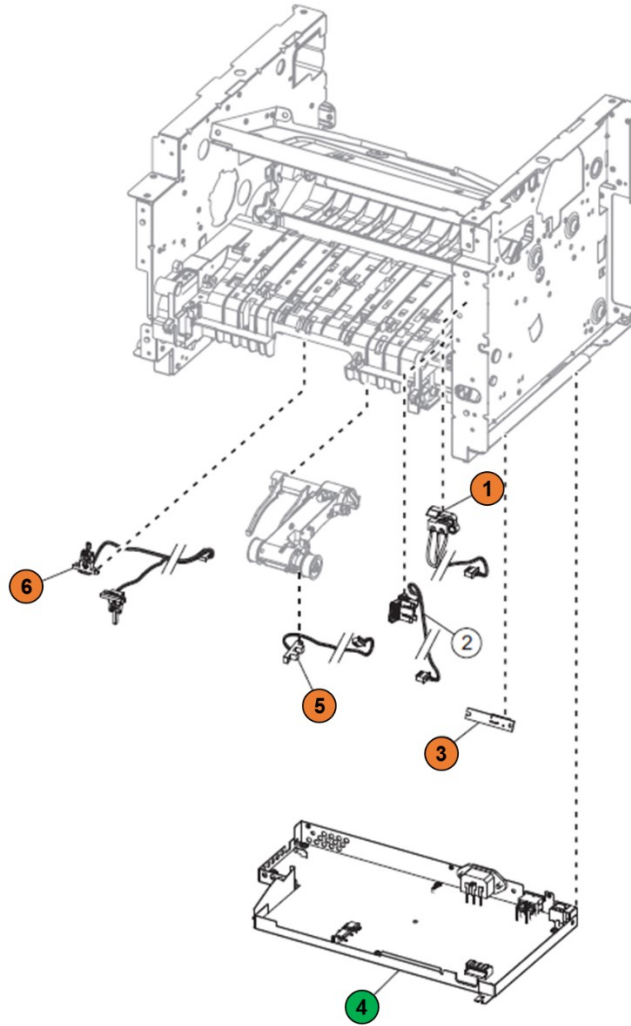


Index	Description
1	Laser scanning unit card within the assembly
2	Brominated fuser parts (See Fuser)
3	Bin full sensor Cooling fan
4	Controller board
5	Tray present sensor
6	Narrow media sensor
11	Bin full sensor
13	Control panel board within the assembly for MX61x
13A	e-Task 7-inch Touchscreen Op panel

MS/MX 310, 410, 510, 610 Series
Locations

Printed Circuit Boards >10cm² and Brominated Plastic Components

MS31x, MS410, MX31x, MX410 Electronics 2

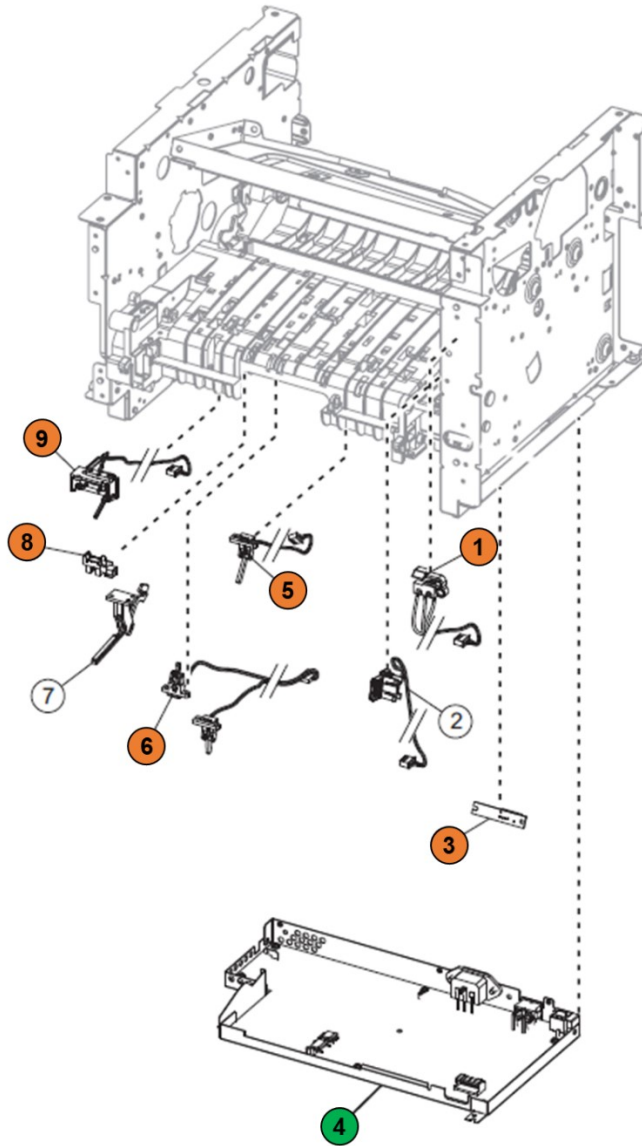


Index	Description
1	Front door sensor
3	Toner density sensor
4	Power supply
5	Trailing edge sensor
6	Duplex sensor and input sensor

**MS/MX 310, 410, 510, 610 Series
Locations**

Printed Circuit Boards >10cm² and Brominated Plastic Components

MS51x, MS61x, MX51x, MX61x Electronics 2

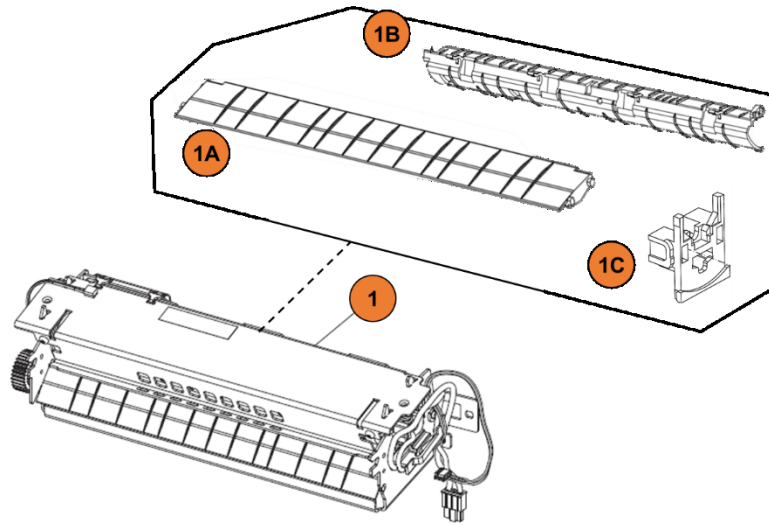


Index	Description
1	Front door sensor
3	Toner density sensor
4	Power supply
5	Trailing edge sensor
6	Duplex sensor and input sensor
8	Media present sensor
9	Trailing edge sensor

MS/MX 310, 410, 510, 610 Series
Locations

Printed Circuit Boards >10cm² and Brominated Plastic Components

Fuser

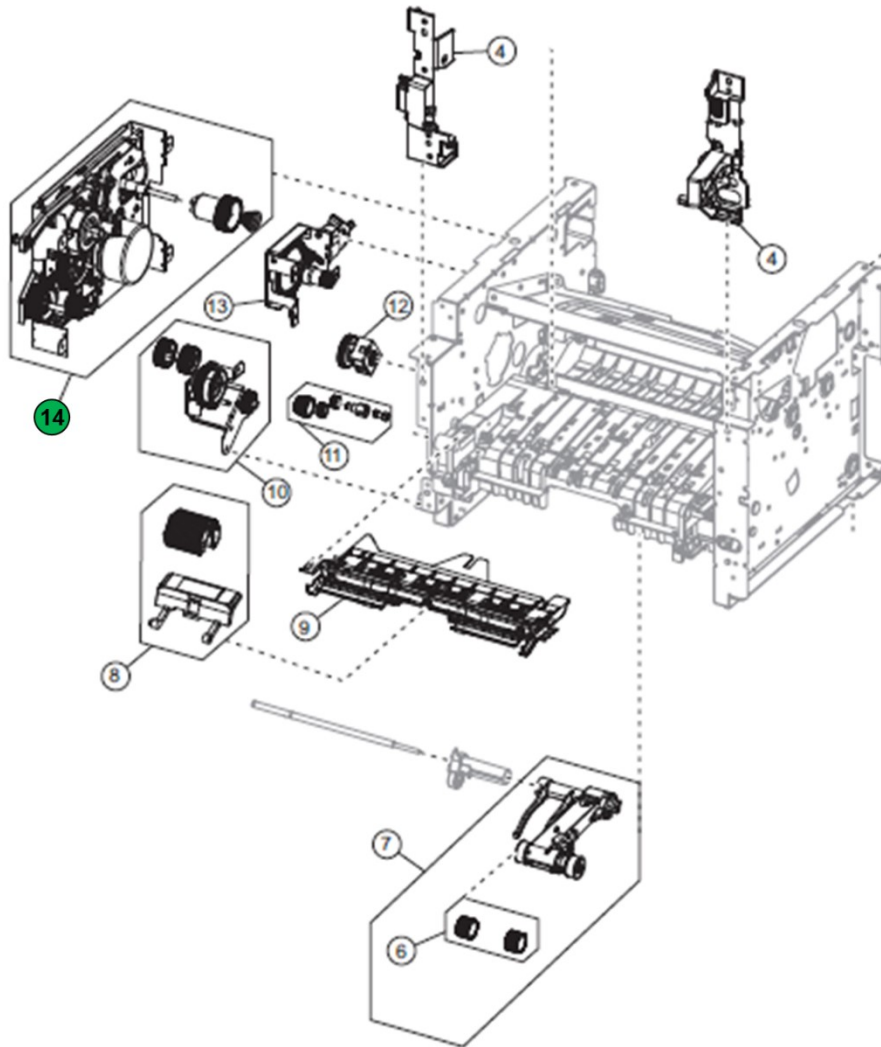


Index	Description
1A	GUIDE (MECHANICAL) – GUIDE-LOWER INPUT
1B	GUIDE (MECHANICAL) – FUSER LOWR EXIT
1C	ALIGNER – FUSR HEATER ASM

MS/MX 310, 410, 510, 610 Series
Locations

Printed Circuit Boards >10cm² and Brominated Plastic Components

Frame

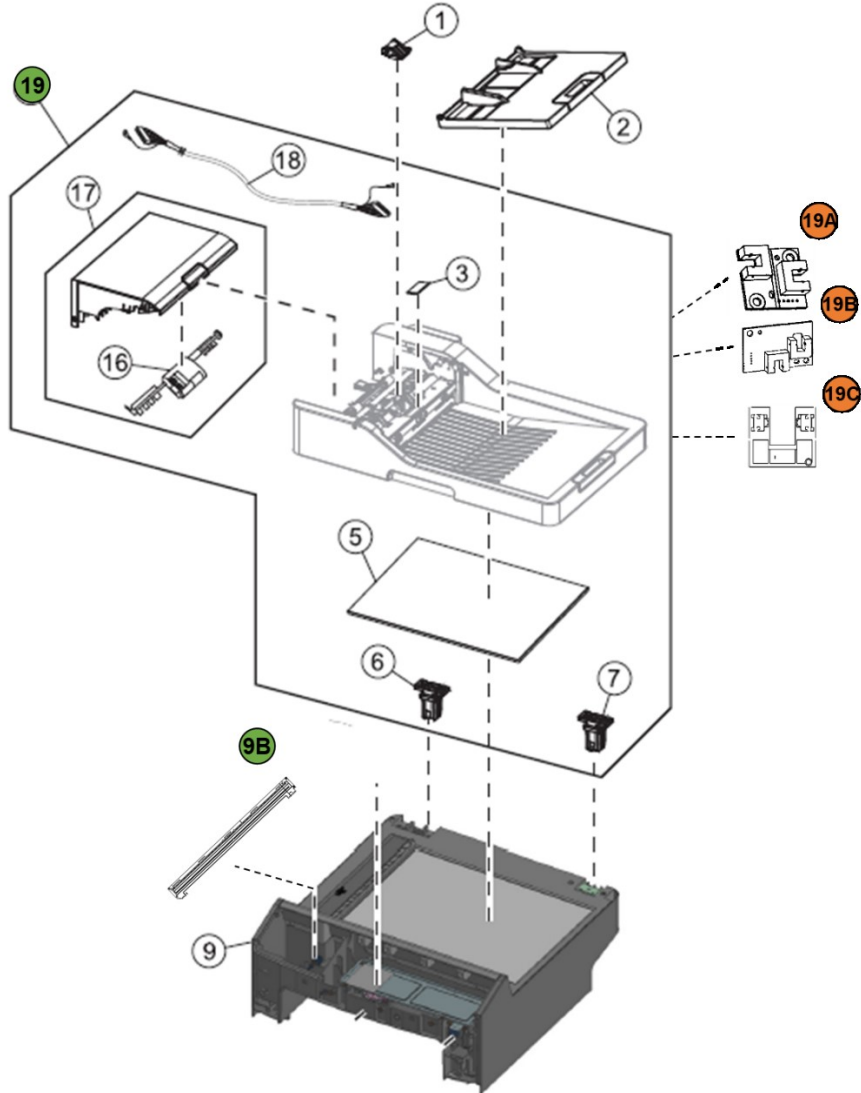


Index	Description
14	Main drive gearbox motor board within the assembly

**MS/MX 310, 410, 510, 610 Series
Locations**

Printed Circuit Boards >10cm² and Brominated Plastic Components

MX31x, MX410, MX51x ADF and Flatbed scanner

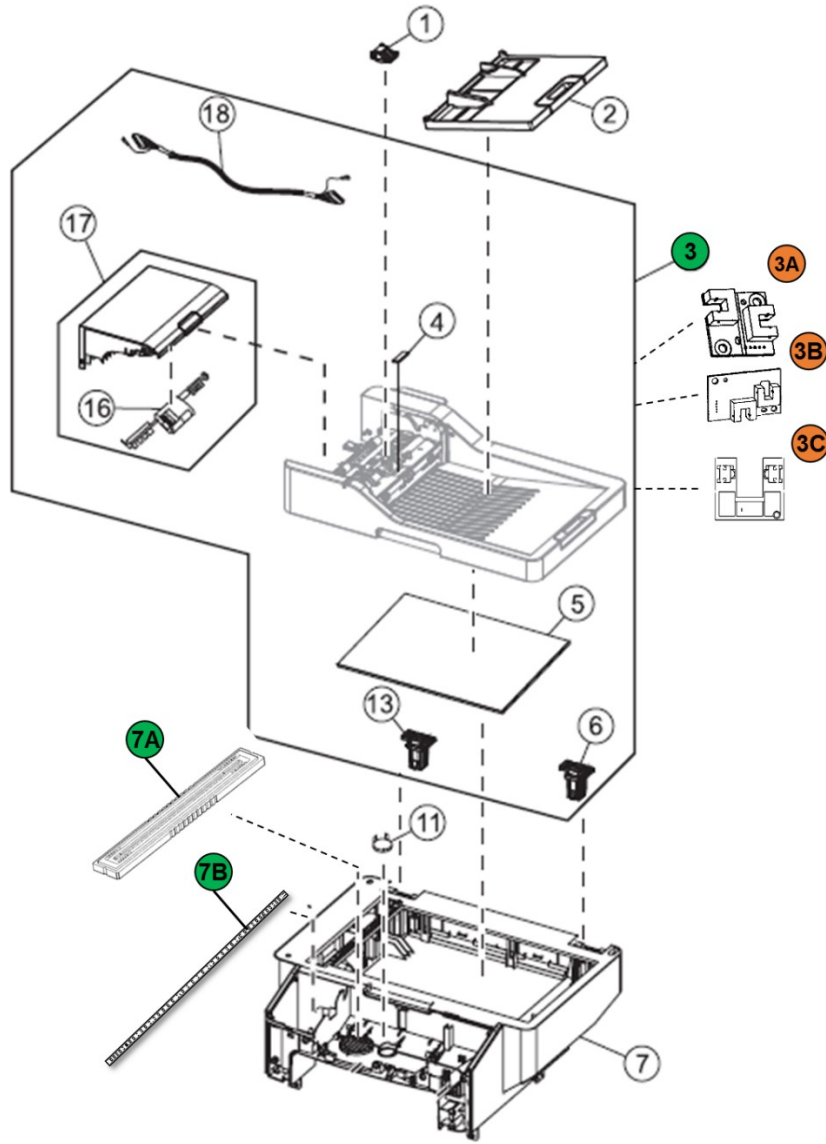


Index	Description
9B	Scanner – Image sensor assembly
19	ADF card within the assembly
19A	ADF - PCBA_sensor_doc&stage_assy/ ADF - PCBA_sensor_stage_skew
19B	ADF - FEED SENSOR PCBA DIP
19C	ADF cover sensor

**MS/MX 310, 410, 510, 610 Series
Locations**

Printed Circuit Boards >10cm² and Brominated Plastic Components

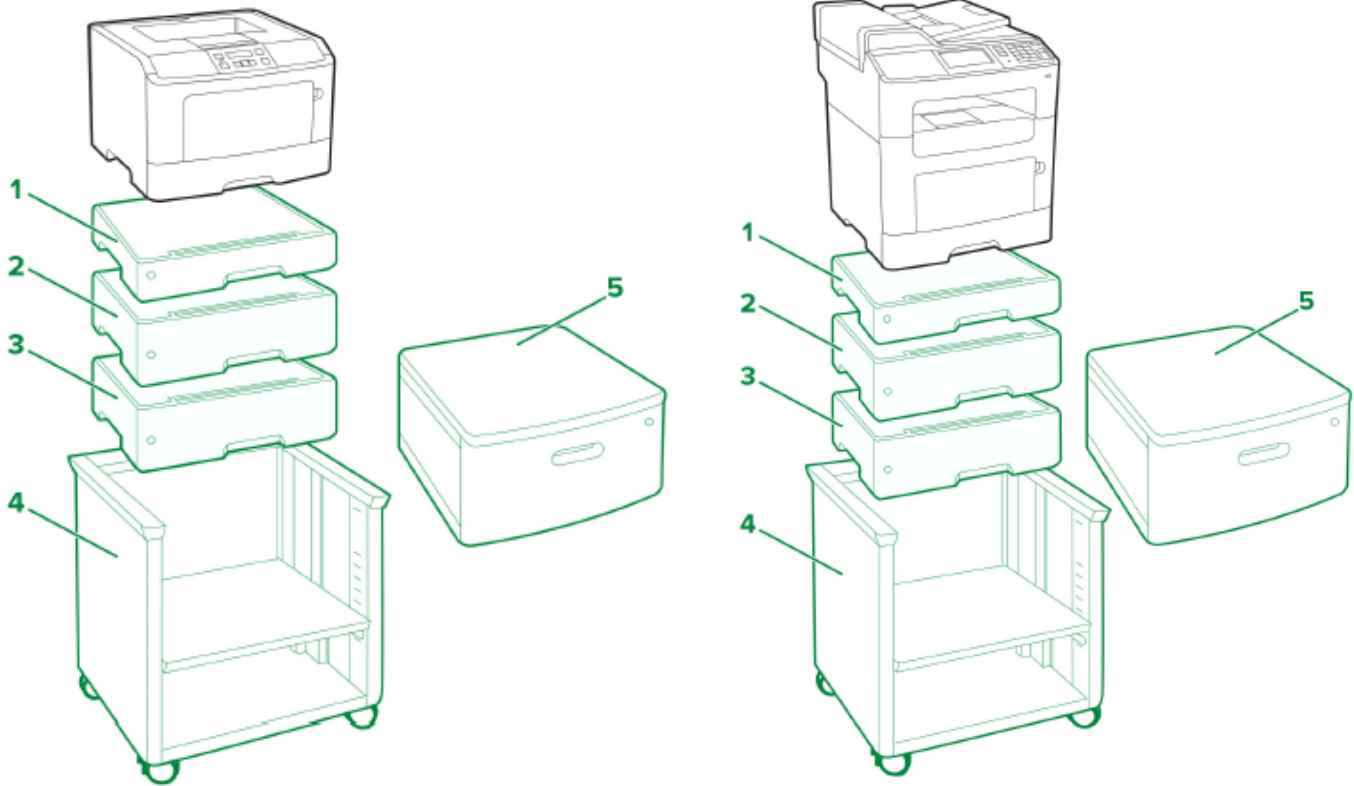
MX61x ADF and Flatbed scanner



Index	Description
3	ADF card within the assembly
3A	ADF - PCBA_sensor_doc&stage_assy/ ADF - PCBA_sensor_stage_skew
3B	ADF - FEED SENSOR PCBA DIP
3C	ADF cover sensor
7A	Flatbed CCD card
7B	Flatbed 42LED bard card

**MS/MX 310, 410, 510, 610 Series
Locations**

MS and MX Series Paper handing devices

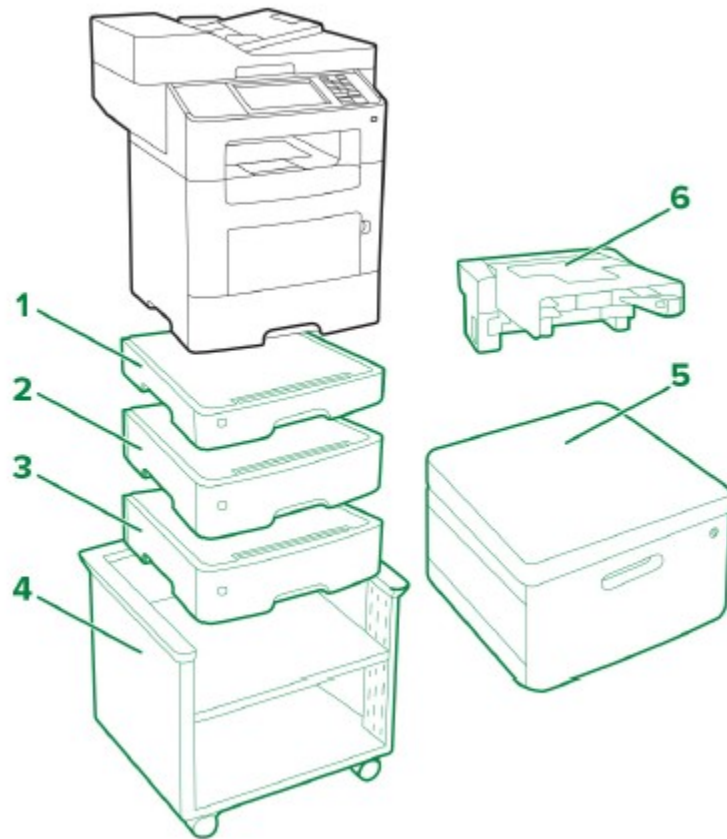


Index	Description
1	250-sheet tray
2	550-sheet lockable tray
3	550-sheet tray
4	Adjustable printer stand*
5	Swivel cabinet*

Options marked with (*) are non-Electrical and electronic units

**MS/MX 310, 410, 510, 610 Series
Locations**

MX61x Series Paper handling devices



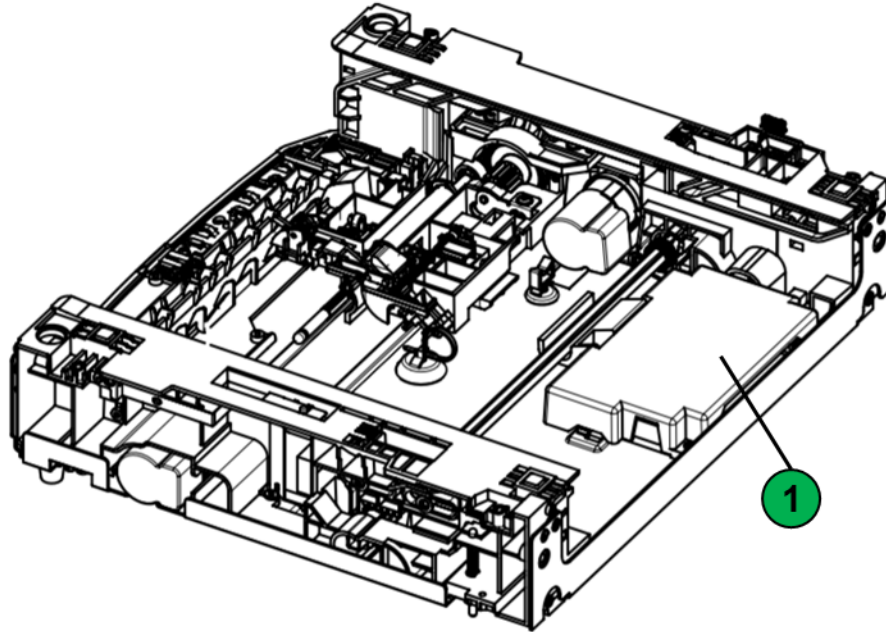
Index	Description
1	250-sheet tray
2	550-sheet lockable tray
3	550-sheet tray
4	Adjustable printer stand*
5	Swivel cabinet*
6	Inline stapler / Staple finisher

Options marked with (*) are non-Electrical and electronic units

MS/MX 310, 410, 510, 610 Series
Locations

Printed Circuit Boards >10cm² and Brominated Plastic Components

250 / 550 Sheet Tray

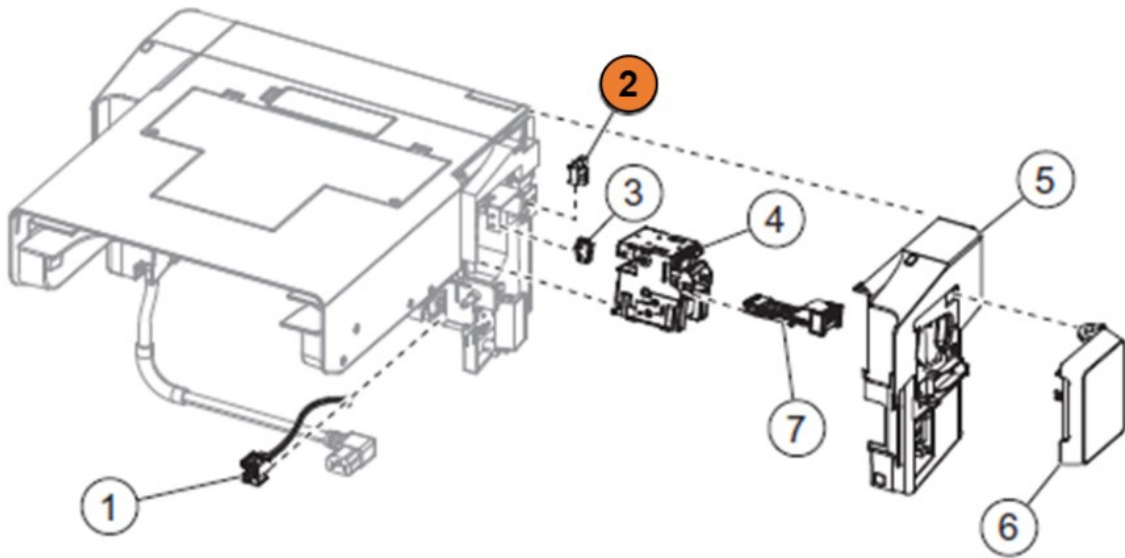


Index	Description
1	Tray controller board within the assembly

MS/MX 310, 410, 510, 610 Series
Locations

Printed Circuit Boards >10cm² and Brominated Plastic Components

MX61x Staple Finisher Right

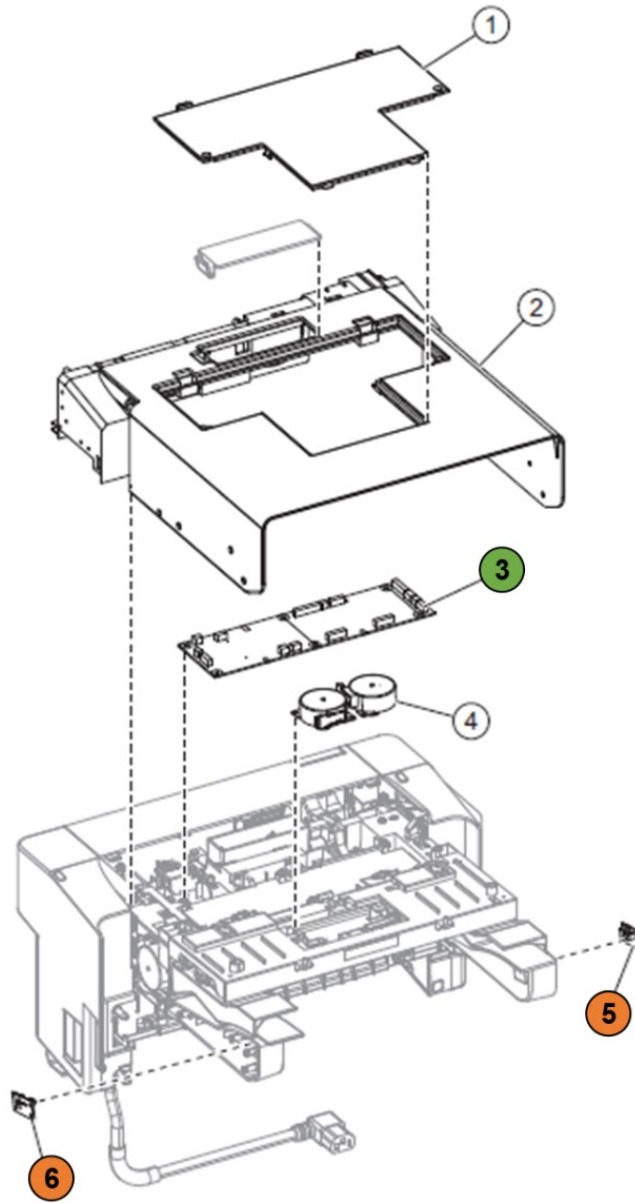


Index	Description
2	Sensor (stapler access door)

MS/MX 310, 410, 510, 610 Series
Locations

Printed Circuit Boards >10cm² and Brominated Plastic Components

MX61x Staple Finisher Top

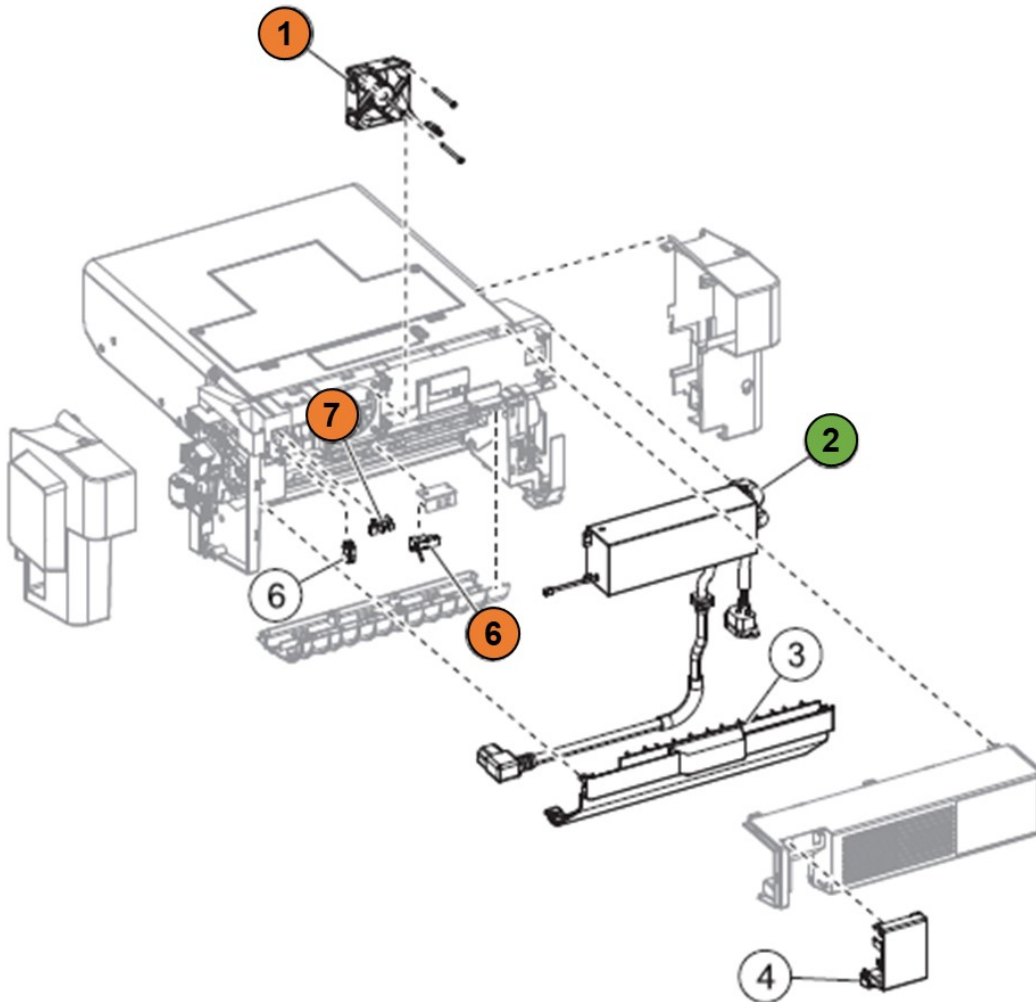


Index	Description
2	Stapler controller card
5	Sensor (stapler bin full send)
6	Sensor (stapler bin full receive)

MS/MX 310, 410, 510, 610 Series
Locations

Printed Circuit Boards >10cm² and Brominated Plastic Components

MX61x Staple Finisher Rear

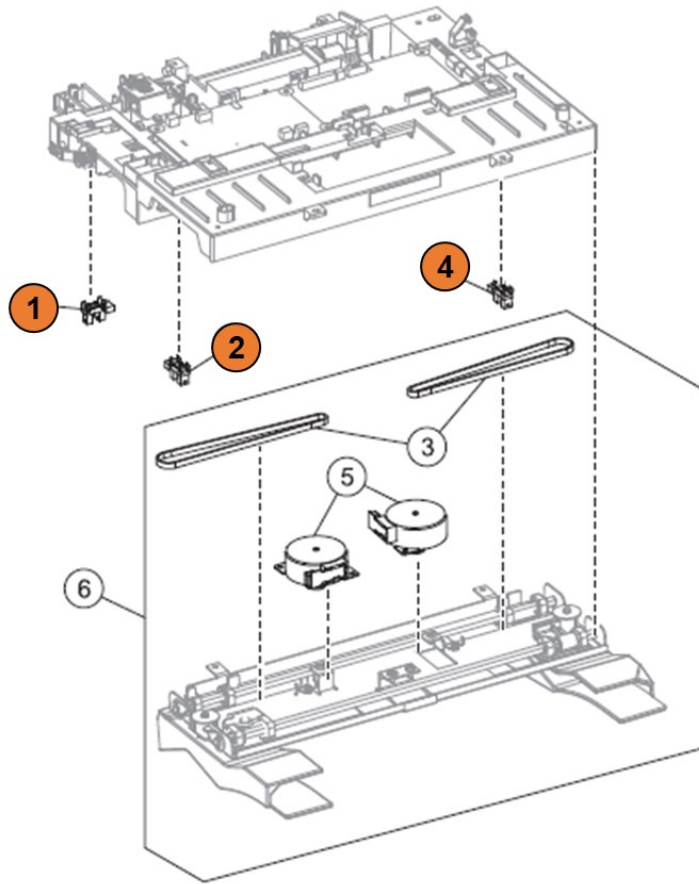


Index	Description
1	Stapler cooler fan
2	Stapler power supply unit
5	Sensor (stapler pass through)
6	Sensor (stapler rear door)

MS/MX 310, 410, 510, 610 Series
Locations

Printed Circuit Boards >10cm² and Brominated Plastic Components

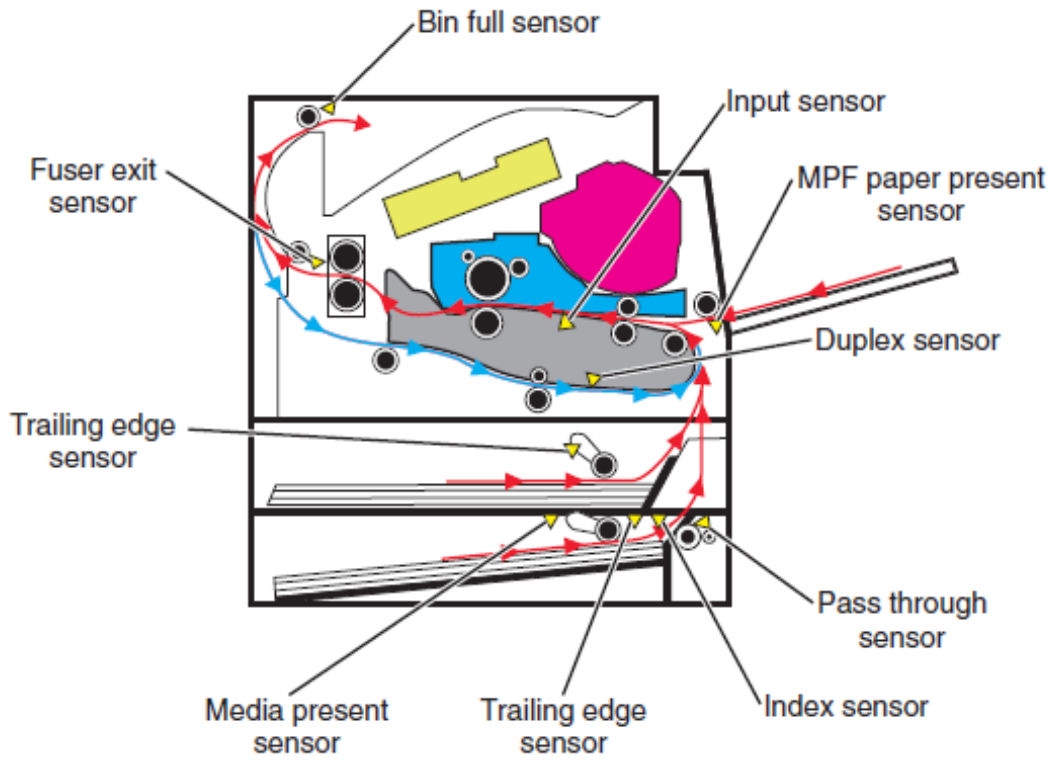
MX61x Stapler Finisher Tamper Assembly



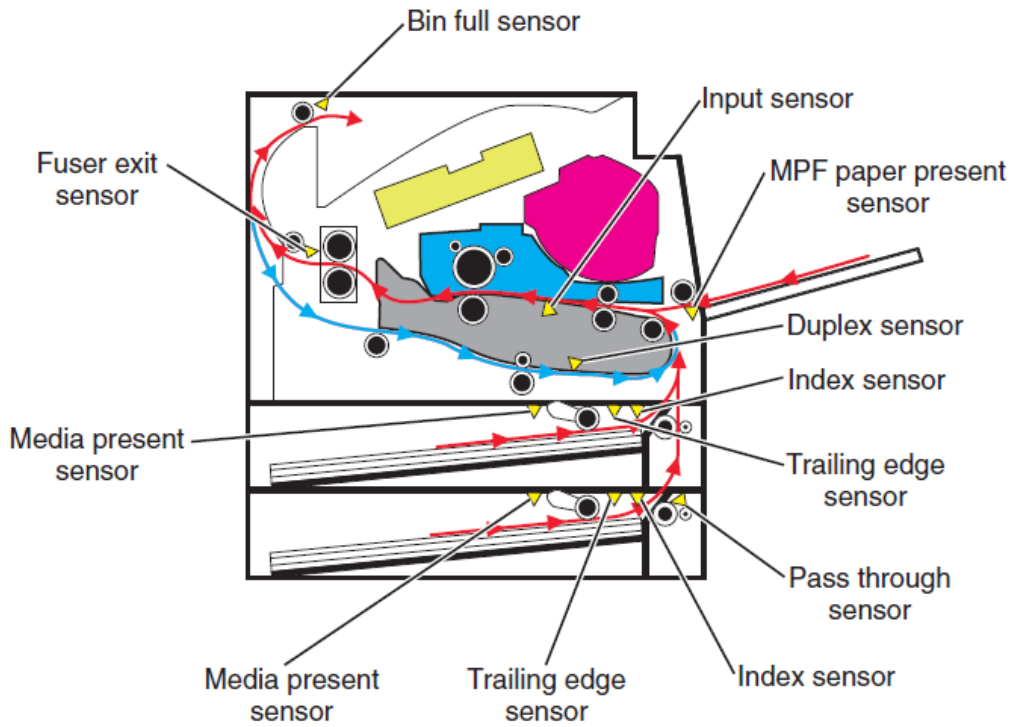
Index	Description
1	Sensor (stapler paddle HP)
2	Sensor (stapler left tamper HP)
4	Sensor (stapler right tamper HP)

**MS/MX 310, 410, 510, 610 Series
Locations**

MS310, MS410 Sensors

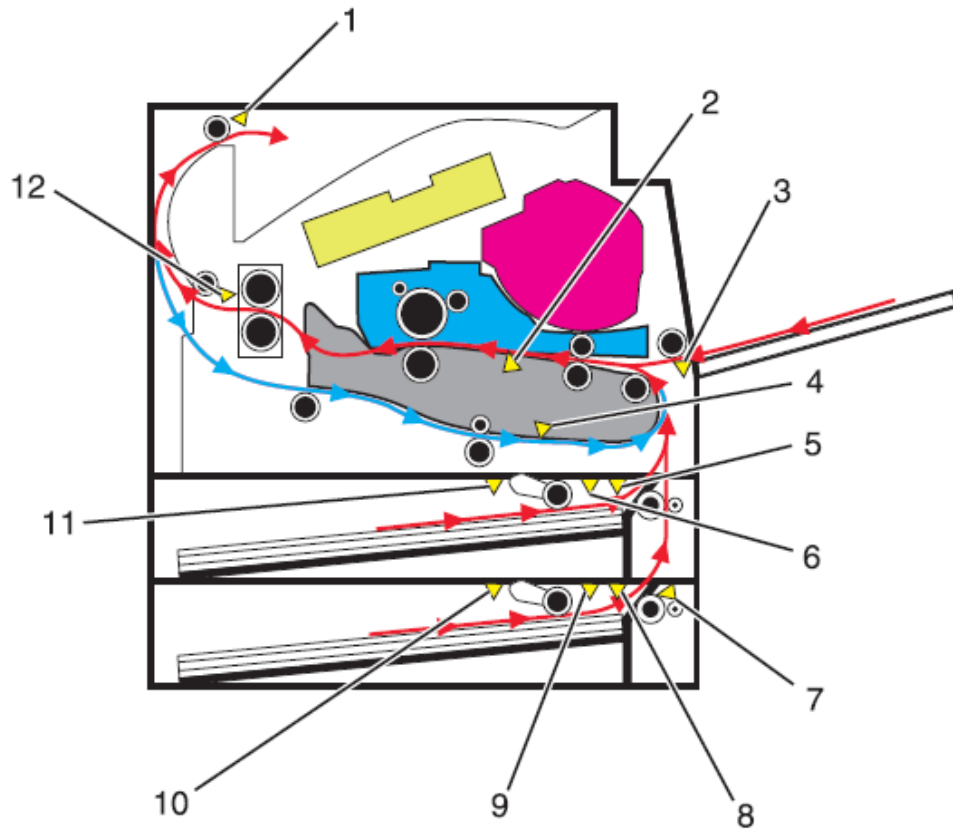


MS510, MS610 Sensors



**MS/MX 310, 410, 510, 610 Series
Locations**

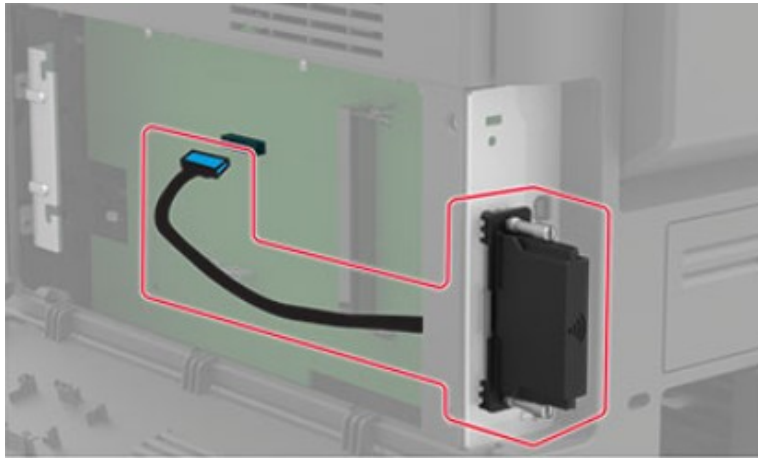
MX31x, MX410, MX51x, MX61x Sensors



Index	Description
1	Bin full sensor
2	Input sensor
3	MPF paper present sensor
4	Duplex sensor
5	Index sensor
6	Trailing edge sensor
7	Pass through sensor
8	Index sensor
9	Trailing edge sensor
10	Media present sensor
11	Media present sensor
12	Fuser exit sensor

MS/MX 310, 410, 510, 610 Series Locations

External Options



External Print Servers¹

Note 1: Illustration shows actual options and their typical locations and mounting at the rear side of the printer. However, this does not show the actual printer model.

Annex A – Printer components with Brominated Flame Retardants

Index	Description	Parts Marking	MS31x MS410 Qty	MS51x MS61x Qty	MX Series Qty	Location
1	GUIDE (MECHANICAL) – GUIDE-LOWER INPUT	PET-(GF+MD)40 FR(17)	1	1	1	Fuser
2	GUIDE (MECHANICAL) – FUSER LOWR EXIT	PET-(GF+MD)40 FR(17)	1	1	1	
3	ALIGNER – FUSR HEATER ASM	PET-(GF+MD)40 FR(17)	1	1	1	
4	Narrow media/bin full sensor	N/A	1	1	1	Electronics 1
5	Cooling fan	N/A	1	1	1	
6	Tray present sensor	N/A		1	1	
7	Front door sensor	N/A	1	1	1	Electronics 2
8	Toner density sensor	N/A	1	1	1	
9	Duplex sensor and input sensor	N/A	2	2	2	
10	Media present sensor	N/A	1	2	2	
11	Trailing edge sensor	N/A	1	2	2	
12	Index sensor	N/A	1	2	2	
13	Pass through sensor	N/A	1	1	1	Sensors
14	Fuser exit sensor	N/A	1	1	1	

Annex B – ADF, Flatbed Scanner and Stapler Finisher components with Brominated Flame Retardants

Index	Description	Parts Marking	MS31x MS410 Qty	MS51x MS61x Qty	MX Series Qty	Location
1	Sensor (stapler access door)	PET- (GF+MD)40 FR(17)			1	MX61x Staple Finisher Right
2	Sensor (stapler bin full send)	PET- (GF+MD)40 FR(17)			1	MX61x Staple Finisher Top
3	Sensor (stapler bin full receive)	PET- (GF+MD)40 FR(17)			1	
4	Stapler cooler fan	N/A			1	MX61x Staple Finisher Rear
5	Stapler power supply unit	N/A			1	
6	Sensor (stapler pass through)	N/A			1	
7	Sensor (stapler rear door)	N/A			1	
8	Sensor (stapler paddle HP)	N/A			1	MX61x Staple Finisher Tamper Assembly
9	Sensor (stapler left tamper HP)	N/A			1	
10	Sensor (stapler right tamper HP)	N/A			1	
11	ADF - PCBA_sensor_doc&stage_assy/	N/A			1	MX31x, MX410, MX51x MX61x ADF and Flatbed scanner
12	ADF - PCBA_sensor_stage_skew	N/A			1	
13	ADF - FEED SENSOR PCBA DIP	N/A			1	
14	ADF cover sensor	N/A			1	

Annex C – Printed Circuit Boards >10cm²

Index	Description	Qty	Location	MS31x MS410	MS51x MS61x	MX31x MX410 MX51x	MX61x
1	Laser scanning unit card	1	Within LSU assembly	X	X	X	X
2	Controller board	1	MS Series, MX Series Electronics 1	X	X	X	X
3	Control panel board for MS310 and 410	1	Op panel	X			
	Control panel board for MS510 and 610	1	Op panel		X		
	Control panel board for MX31x, MX41x, MX51x	1	Control panel			X	X
	Control panel board for MX61x	1	Control panel				X
4	Power supply	1	MS Series, MX Series Electronics 2	X	X	X	X
5	Main drive gearbox motor board	1	Frames	X	X	X	X
6	Scanner – Image sensor assembly	1	MX Series ADF and Flatbed Scanner			X	
6	MX Series ADF Card	1				X	
	MX61x ADF Card	1	MX61x ADF and Flatbed Scanner				X
7	Flatbed CCD card	1					X
8	Flatbed 42LED bard card	1					X
9	250 Sheet Tray Option	1	250 / 550 Sheet Tray	X	X	X	X
10	550 Sheet Tray Option	1		X	X	X	X
11	Staple controller card	1	Staple Finisher Top				X
12	Staple power supply unit	1	Staple Finisher Rear				X
13	Hard disk drive (HDD) for MX511 and MX61x	1	Attached to Controller card			X	X

Annex D – Electrical and Electronic (EE) Customer Replaceable Devices

Index	Part Number	Description	Location	MS31x MS410	MS51x MS61x	MX31x MX410 MX51x	MX61x
1	35S0267	250-Sheet Tray	MS and MX Series Paper handling devices	X	X	X	X
2	35S0567	550-Sheet Tray		X	X	X	X
3	35S0367	550-Sheet Lockable Tray		X	X	X	X
4	35S8000	MX61x Staple Finisher	MX61x Series Paper handling devices				X

Annex E – Electrical and Electronic (EE) Customer Replaceable Internal/External Card options

Index	Part Number	Description	Location	MS31x MS410	MS51x MS61x	MX31x MX410 MX51x	MX61x		
1	27X0210	HDD			X	X	X		
2	57X9014	Memory options				X	X		
	57X9011					X			
	57X9016					X	X	X	
	57X9012					X	X	X	
	57X9101				X	X	X	X	
3	35S2992	Firmware Cards (DLEs)		Attached to MS Controller card , MX Controller card		X			
	35S2993								
	35S2994								
	34S4500								
	34S4501								
	34S4502								
	35S5888								X
35S6850									
35S5889									
35S6851									
35S5890									
35S6852									
4	57X9110	DBCS Font Cards		X	X	X	X		
	57X9112								
	57X9114								
	57X9115								
5	27X0128	Wireless Print Server	All dn models						
6	27X0129	Internal Print Servers				X	X		
	27X0903								
7	27X0900	Local Interface Cards			X				
	27X0901								
8	14T0230	External Print Servers	External card options	X	X	X	X		
	14T0240								
	14T0220								