



## Disassembly of Waste Electrical and Electronic Equipment (WEEE) Manual

EU Waste Electronic and Electrical Equipment Directive require producers to provide information of the different electronic and electrical materials and components found in their products at its end-of-life, and disassembly references to treatment and recycling facilities.

The disassembly information for this product has been prepared for use by a recognized treatment or recycling facility and is not intended to be used by others.

1. Product information
2. Materials and components list for selective treatment
3. Disassembly tools
4. Disassembly references

The following information is intended only for the use of treatment and recycling facilities.

All disassembly instructions should be performed with the power switch in the OFF position. Disconnect the power cord from the wall outlet and from the printer before continuing. If there are any other devices attached to the printer, then turn them off as well, and unplug any cables going into the printer.

### 1. Product information

**Model name(s)**—Indicate all model name(s) within the product family

Model name
Lexmark MX6500
Lexmark 6500e

\* Add rows as needed

### 2. Materials and components list for selective treatment

Items	Quantity	Notes
Polychlorinated biphenyls (PCB) containing capacitors	0	N/A
Mercury containing components, such as switches or backlighting lamps	0	
Batteries	1	Lithium Manganese Dioxide coin cell located on the system controller card
Printed circuit boards greater than 10 cm <sup>2</sup>	19	See locations illustrated in 4.2
Toner cartridges, liquid and pasty, as well as colour toner	0	
Plastic containing brominated flame retardants	4 Fans; 9 Sensors	Fan(s) and Sensors (locations illustrated in 4.2)
Asbestos waste and components which contain asbestos	0	N/A

Cathode ray tubes	0	N/A
Chlorofluorocarbons (CFC), Hydrochlorofluorocarbons (HCFC) or Hydrofluorocarbons (HFC), Hydrocarbons (HC)	0	N/A
Gas discharge lamps	0	N/A
Liquid Crystal Display (LCD) greater than 100 cm <sup>2</sup> and those back-lighted with Gas discharge lamps	1	
External electrical cables	1	Power cord located on the back lower left quadrant
Components containing refractory fibres	0	N/A
Components containing radioactive substances	0	N/A
Electrolyte capacitors containing substances of concern <sup>1</sup>	1	Capacitor(s) located on Power Supply (locations illustrated in 4.2)

<sup>1</sup> With (height > 25 mm, diameter > 25 mm or proportionately similar volume)

### 3. Disassembly tools

Item
#2 Phillips screwdriver, magnetic
Wire cutter
E-clip puller or small flat-head screwdriver
Standard slotted head screwdriver

### 4. Disassembly references

#### 4.1. Removal procedures



MX6500e, 6500e WEEE removal

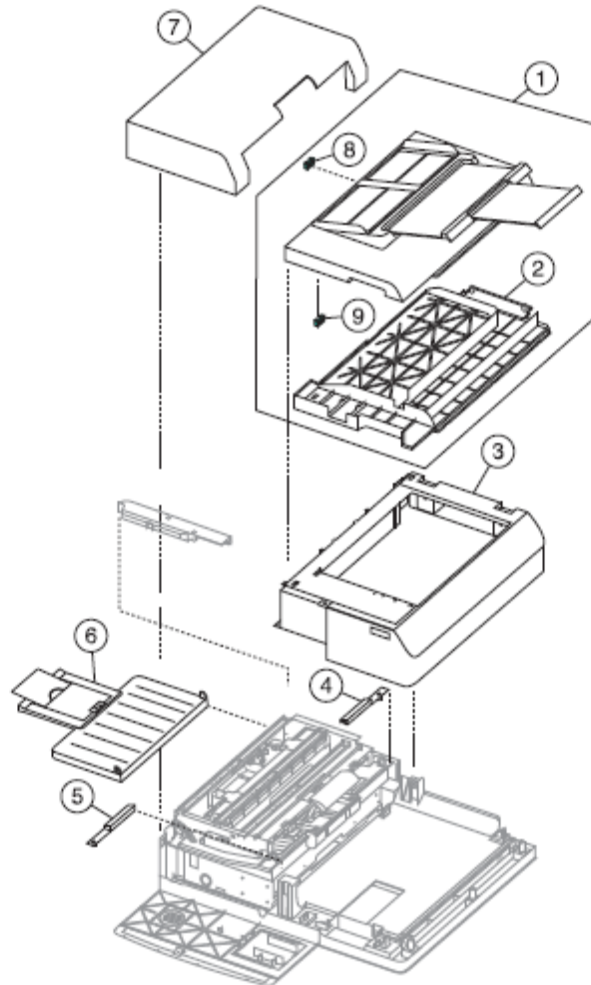
WEEE materials and components removal procedures are available upon request.

Contact: [recycling@lexmark.com](mailto:recycling@lexmark.com)

#### 4.2. Graphical illustration of material's and component's location

**MX6500e, 6500e  
Location**

**Covers**

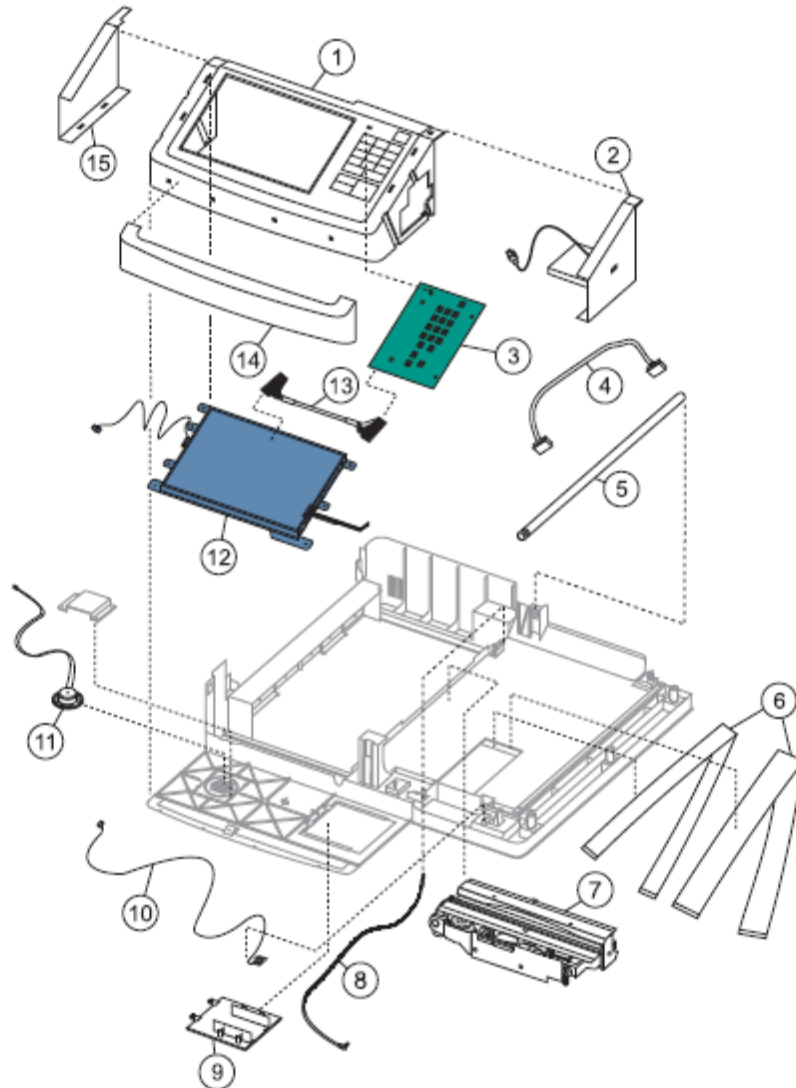


Index	Description
1	Complete flatbed document cover
2	Flatbed document cover cushion
3	Flatbed cover
4	Rear ADF entry guide
5	Front ADF entry guide

Index	Description
6	ADF output bin
7	ADF top cover
8	ADF width sensor
9	Flatbed cover open sensor

**MX6500e, 6500e  
Location**

**Scanner control panel**

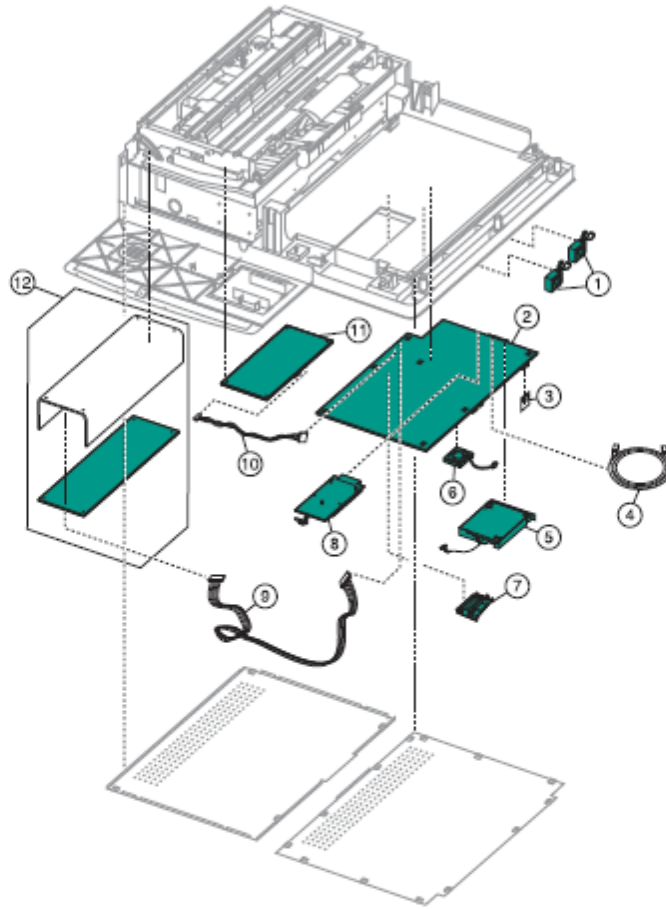


Index	Description
1	Main control panel cover with keypad
2	Right control panel cover
3	UICC card
4	UICC to controller board cable
5	Flatbed scanner rod
6	Flatbed scanner cables parts pack
7	Flatbed scanner module
8	Flatbed scanner belt with spring

Index	Description
9	UICC access cover
10	Flatbed scanner home position sensor
11	Control panel speaker
12	10.2 inch touchscreen display
13	UICC display cable
14	Front control panel cover
15	Left control panel cover
NS	USB cable parts pack

**MX6500e, 6500e  
Location**

**Scanner electronics**

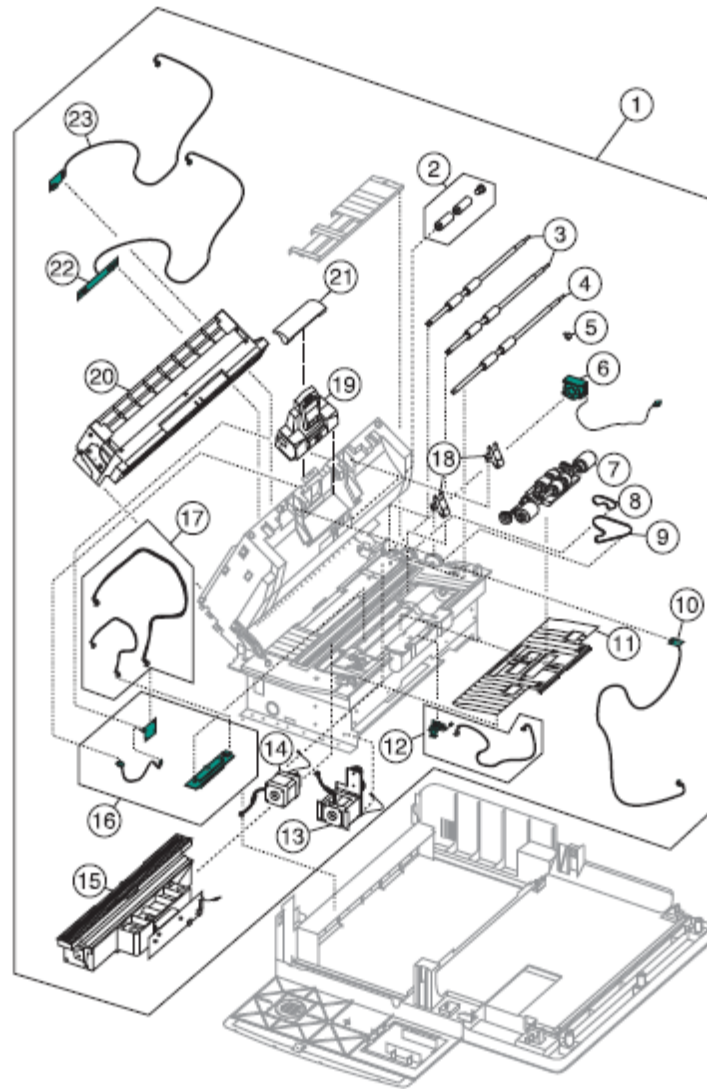


Index	Description
1	Controller cage fans
2	Controller board
3	NVRAM card
4	Green network cable
5	Fax card
6	CPU cooling fan
7	Scanner communications card
7	Scanner communications card with prescribe option
7	Scanner communications card with forms and barcode option

Index	Description
7	Prescribe card option
7	IPDS card option
7	Forms and barcode card option
8	Hard disk drive
9	Power supply to controller board cable
10	Engine board to controller board cable
11	Engine board
12	Universal power supply

MX6500e, 6500e  
Location

ADF



Index	Description
1	Complete ADF scanner assembly
2	Paper jam idle roller parts pack
3	Feed rollers #2 and #3
4	Feed roller #1
5	Roller bearing
6	Power supply cooling fan
7	ADF pick roller
8	Feed roller drive belt #3
9	Feed roller drive belts #1 and #2
10	ADF cover open sensor
11	Pick roller access cover
12	ADF paper present sensor

Index	Description
13	Pick roller drive motor
14	Feed roller drive motor
15	Lower ADF scanner module
16	Multifeed sensor parts pack
17	Multifeed sensor cable parts pack
18	ADF entry idle roller
19	ADF separator pad
20	Upper ADF scanner module
21	ADF latch handle
22	Media sensor
23	ADF paper jam sensor