



Disassembly of Waste Electrical and Electronic Equipment (WEEE) Manual

EU Waste Electronic and Electrical Equipment Directive require producers to provide information of the different electronic and electrical materials and components found in their products at its end-of-life, and disassembly references to treatment and recycling facilities.

The disassembly information for this product has been prepared for use by a recognized treatment or recycling facility and is not intended to be used by others.

1. Product information
2. Materials and components list for selective treatment
3. Disassembly tools
4. Disassembly references

The following information is intended only for the use of treatment and recycling facilities.

All disassembly instructions should be performed with the power switch in the OFF position. Disconnect the power cord from the wall outlet and from the printer before continuing. If there are any other devices attached to the printer, then turn them off as well, and unplug any cables going into the printer.

1. Product information

Model name(s)—Indicate all model name(s) within the product family

Model name

Lexmark X792 series –

Lexmark X792de, Lexmark X792dte, Lexmark X792dtfe, Lexmark X792dtpe, Lexmark X792dtme, Lexmark X792dtse

* Add rows as needed

2. Materials and components list for selective treatment

Items	Quantity	Notes
Polychlorinated biphenyls (PCB) containing capacitors	0	N/A
Mercury containing components, such as switches or backlighting lamps	0	N/A
Batteries	1	Lithium Manganese Dioxide coin cell located on the system controller card
Printed circuit boards greater than 10 cm ²	17	For Lexmark X792dtfe, Lexmark X792dtpe, Lexmark X792dtme, Lexmark X792dtse (locations illustrated in 4.2) – 16 for Lexmark X792dte – 15 for Lexmark X792de
Toner cartridges, liquid and pasty, as well as colour toner	5	4 Toner cartridges 1 Waste toner bottle

Plastic containing brominated flame retardants	7 Fans; 59 Sensors; 0 Fuser parts	Fan(s) and Sensors (locations illustrated in 4.2)
Asbestos waste and components which contain asbestos	0	N/A
Cathode ray tubes	0	N/A
Chlorofluorocarbons (CFC), Hydrochlorofluorocarbons (HCFC) or Hydrofluorocarbons (HFC), Hydrocarbons (HC)	0	N/A
Gas discharge lamps	0	N/A
Liquid Crystal Display (LCD) greater than 100 cm ² and those back-lighted with Gas discharge lamps	1	LCD located inside OP panel
External electrical cables	1	Power cord located on the back lower left quadrant
Components containing refractory fibres	0	N/A
Components containing radioactive substances	0	N/A
Electrolyte capacitors containing substances of concern ¹	1	Capacitor(s) located on Power Supply (locations illustrated in 4.2)
¹ With (height > 25 mm, diameter > 25 mm or proportionately similar volume)		

3. Disassembly tools

Item Description
#2 Phillips screwdriver, magnetic
Wire cutter
E-clip puller or small flat-head screwdriver
Standard slotted head screwdriver

4. Disassembly references

4.1. Removal procedure(s)



X792 WEEE removal

WEEE materials and components removal procedures are available upon request.

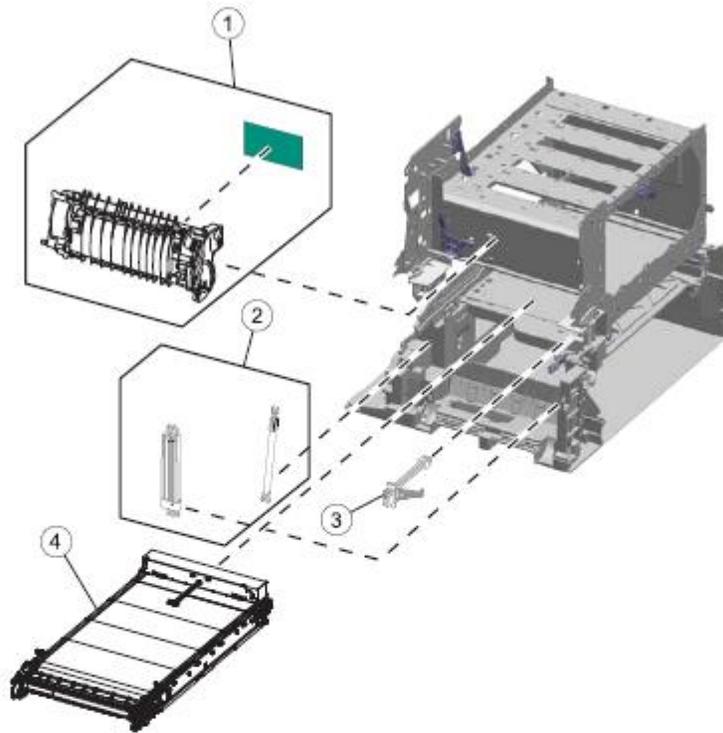
Contact: recycling@lexmark.com

4.2. Graphical illustration of material's and component's location

See next page

X792 Series Location

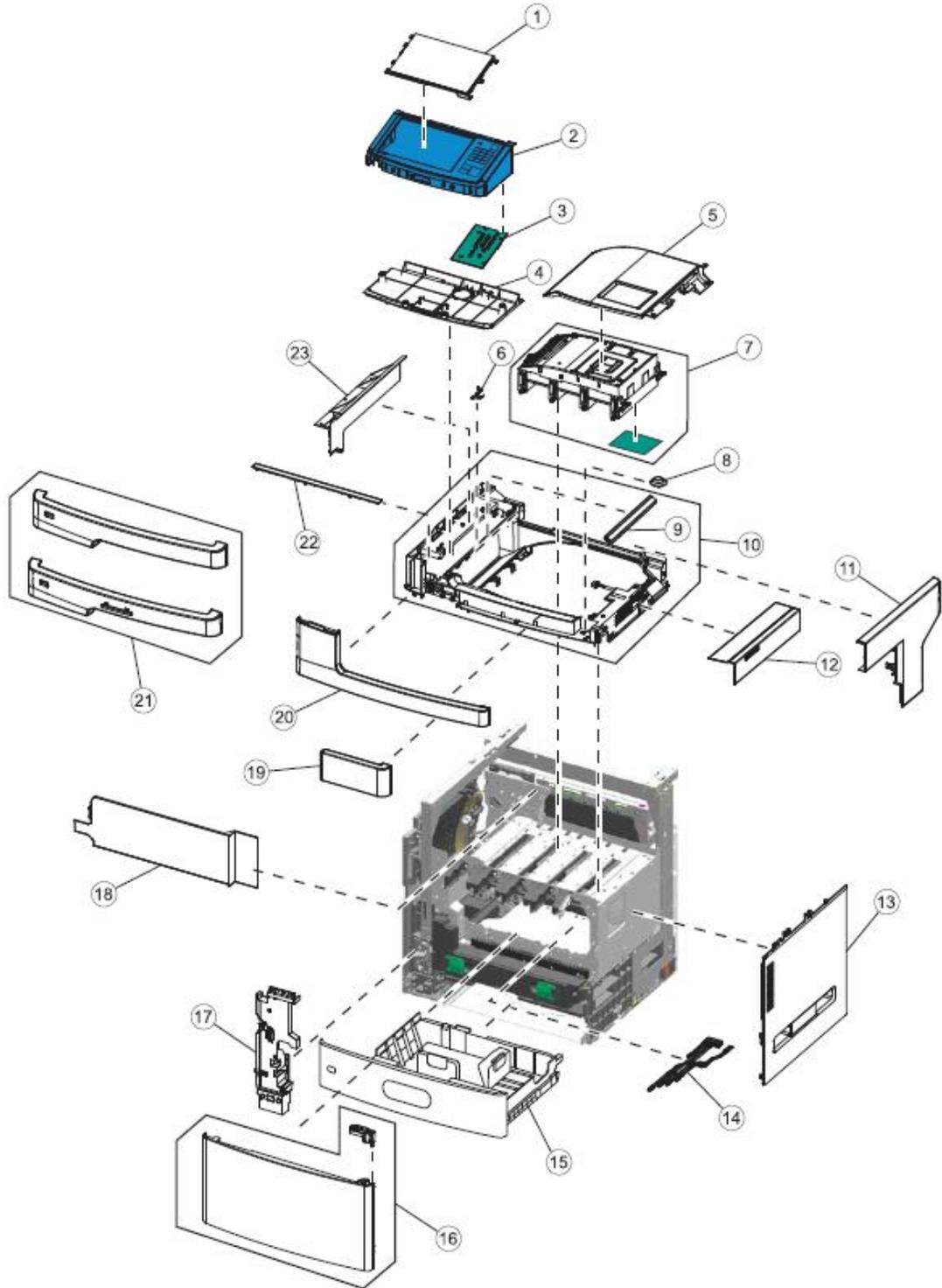
Left



Index	Description
1	Fuser assembly, 115 V
	Fuser assembly, 220 V
	Fuser assembly, 100 V
2	Left access door pistons parts packet, including <ul style="list-style-type: none"> • Piston clip pin • Left door spring support • Piston housing assembly • Door support anchor pin (3)
3	Fuser system card and LVPS cable with cable ties

X792 Series Location

Front, right, and top covers

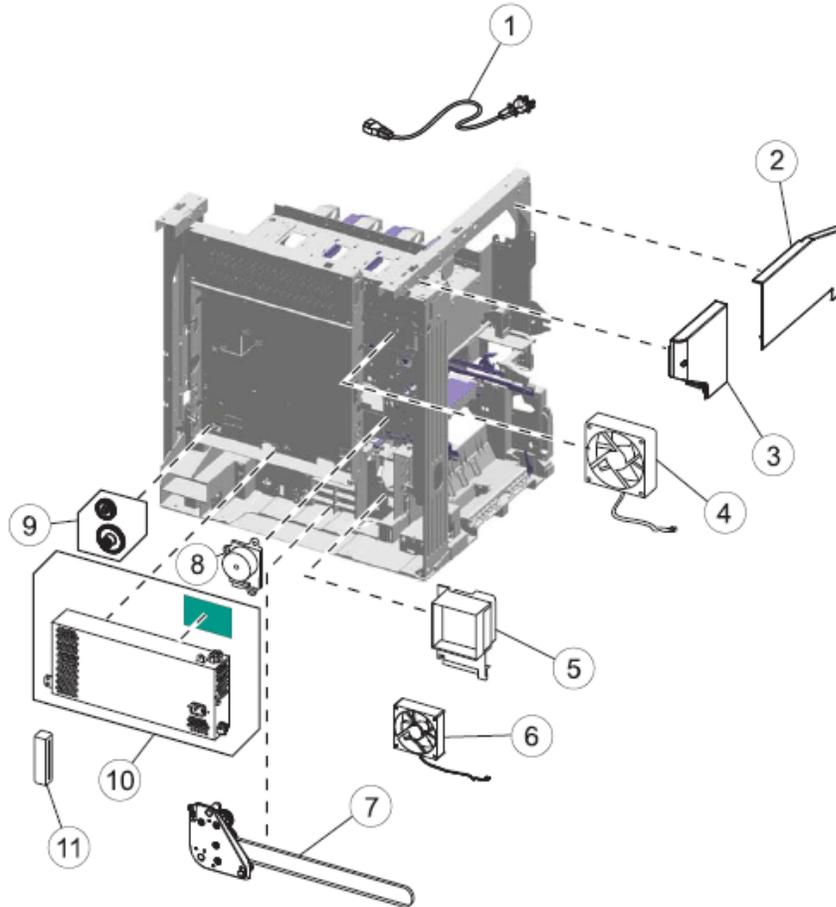


X792 Series Location

Index	Description
1	OP panel LCD and touch-screen display
2	OP panel housing with buttons
3	OP panel UICC card
4	OP panel bottom cover
5	Printhead access cover
6	Bin-full flag
7	Printhead assembly
8	OP panel speaker
9	ESD bracket
10	AIO top cover assembly with output options cable
11	Scanner right side cover
12	AIO option cover
13	Right cover
14	Cave light/Out beacon cable
15	Standard media tray (550-sheet media tray assembly)
16	Front access door and pivot
17	Waste toner left cover
18	AIO rear scanner cover
19	BSD scanner front cover (496)
19	Scanner front cover (432, 436)
19	XS798 scanner front cover (496)
19	XS795 scanner front cover (486)
20	AIO front lower cover
21	AIO front upper cover: <ul style="list-style-type: none"> • One with USB • One with USB and card reader slot
22	Scanner top cover
23	AIO lower scanner cover

X792 Series Location

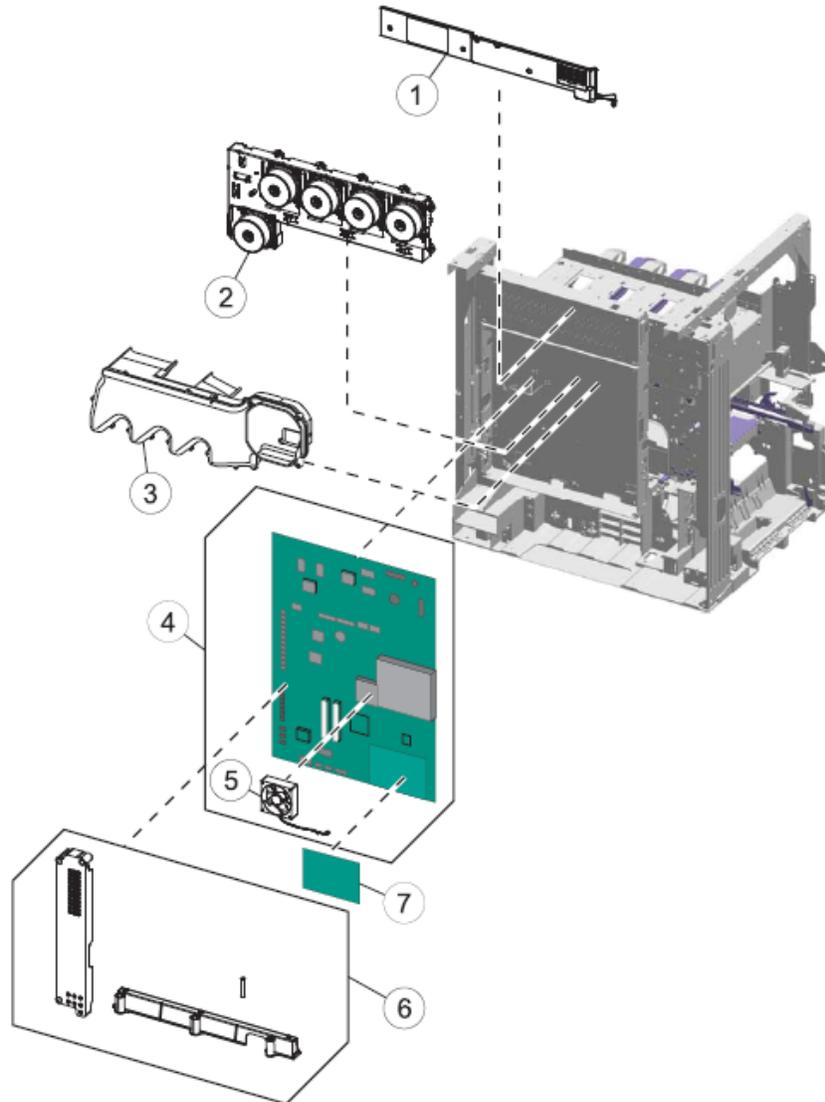
Rear 1



Index	Description
1	Power cord
2	Scanner left side front cover
3	Scanner left side rear cover
4	Main fan
5	LVPS exit duct
6	LVPS fan
7	MPF drive assembly
8	Fuser drive assembly
9	Waste toner gears parts packet
10	Low-voltage power supply (LVPS) with thermistor retainer
11	Toroid

X792 Series Location

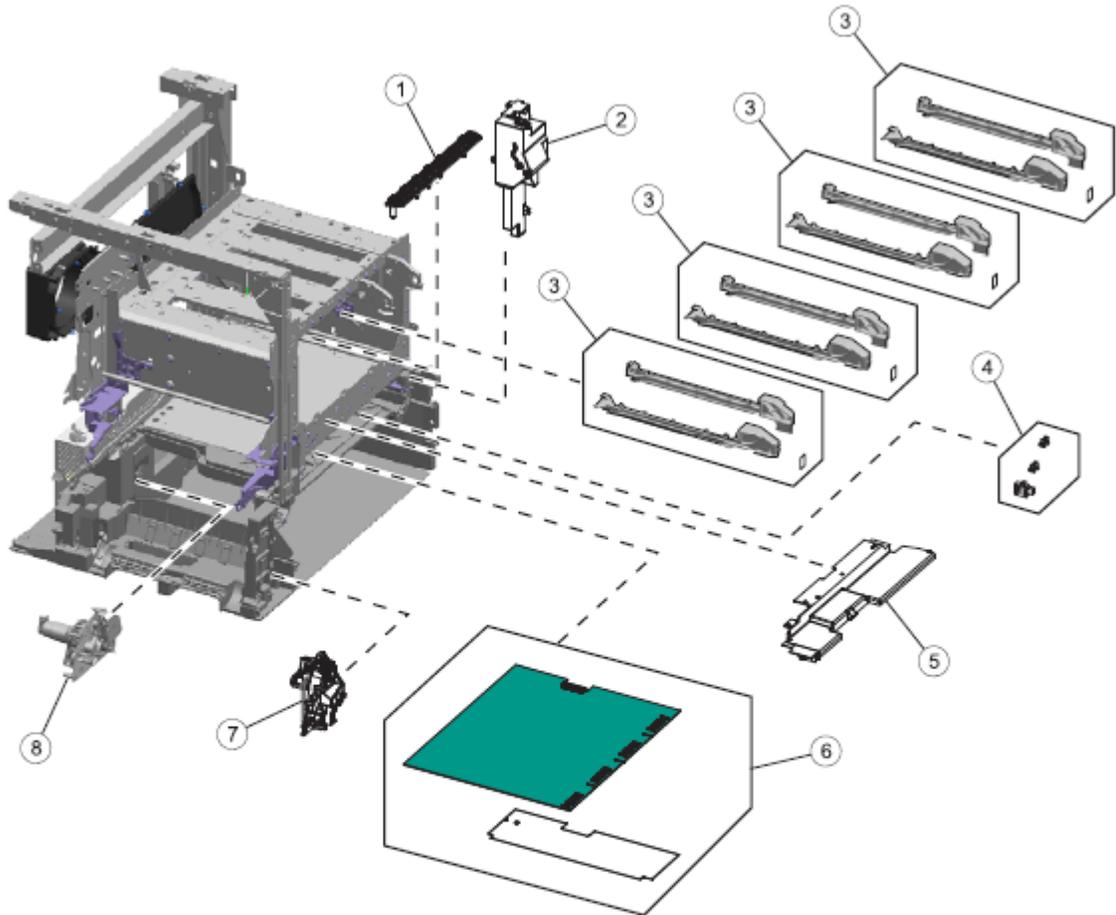
Rear 2



Index	Description
1	Scanner rear cover
2	EP drive assembly
3	Exit cooling duct assembly
4	System board
5	CPU cooling fan
6	System board and HVPS card parts packet
7	Hard disk/fax card

X792 Series Location

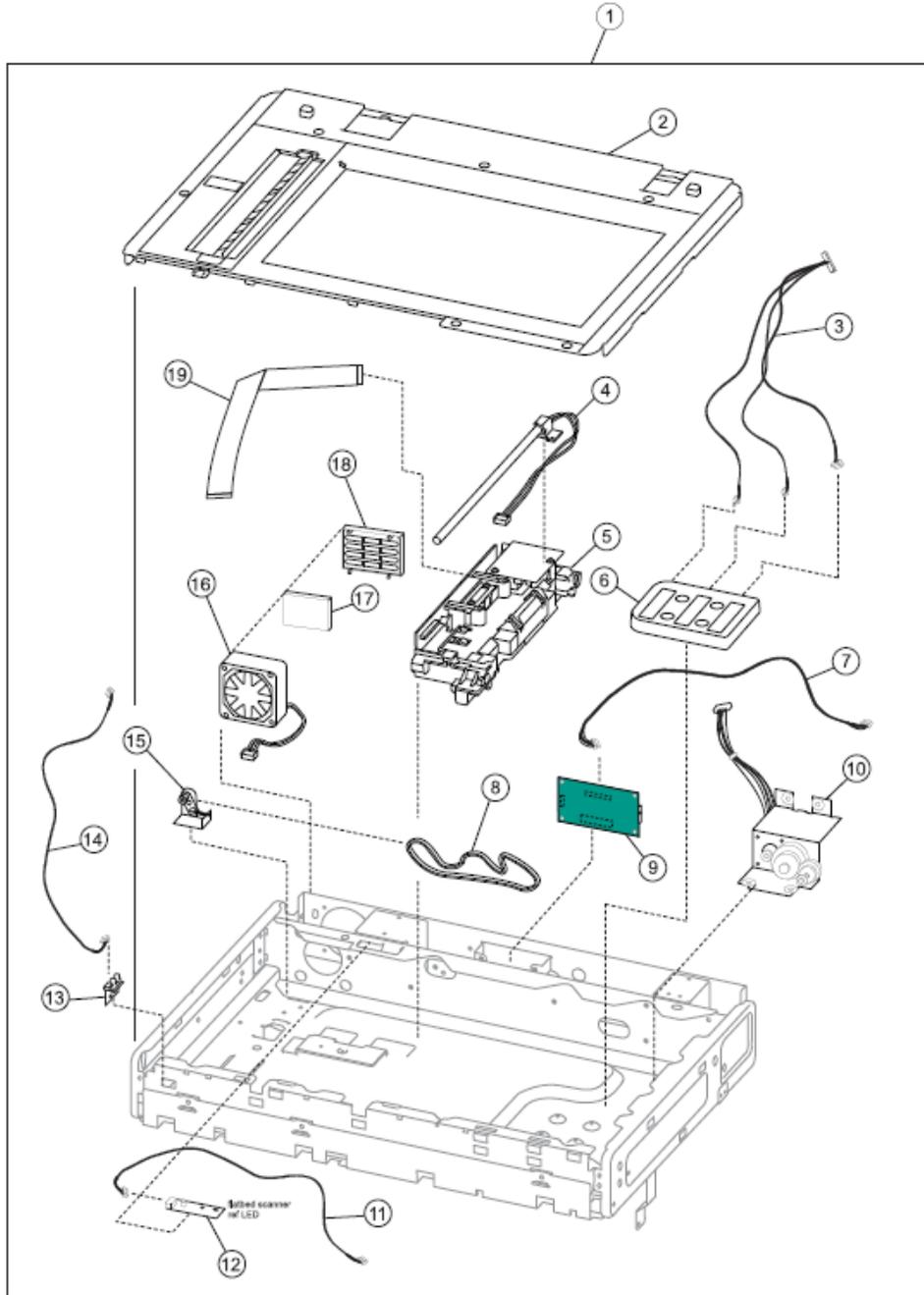
Front



Index	Description
1	ITU block assembly
2	Cartridge blower assembly
3	Cartridge rail assembly
4	Sensors parts packet
5	Waste toner tray bracket
6	HVPS assembly with cable shield
7	Housing interlock assembly with sensor
8	Staging paper path reference edge assembly

X792 Series Location

Flatbed scanner

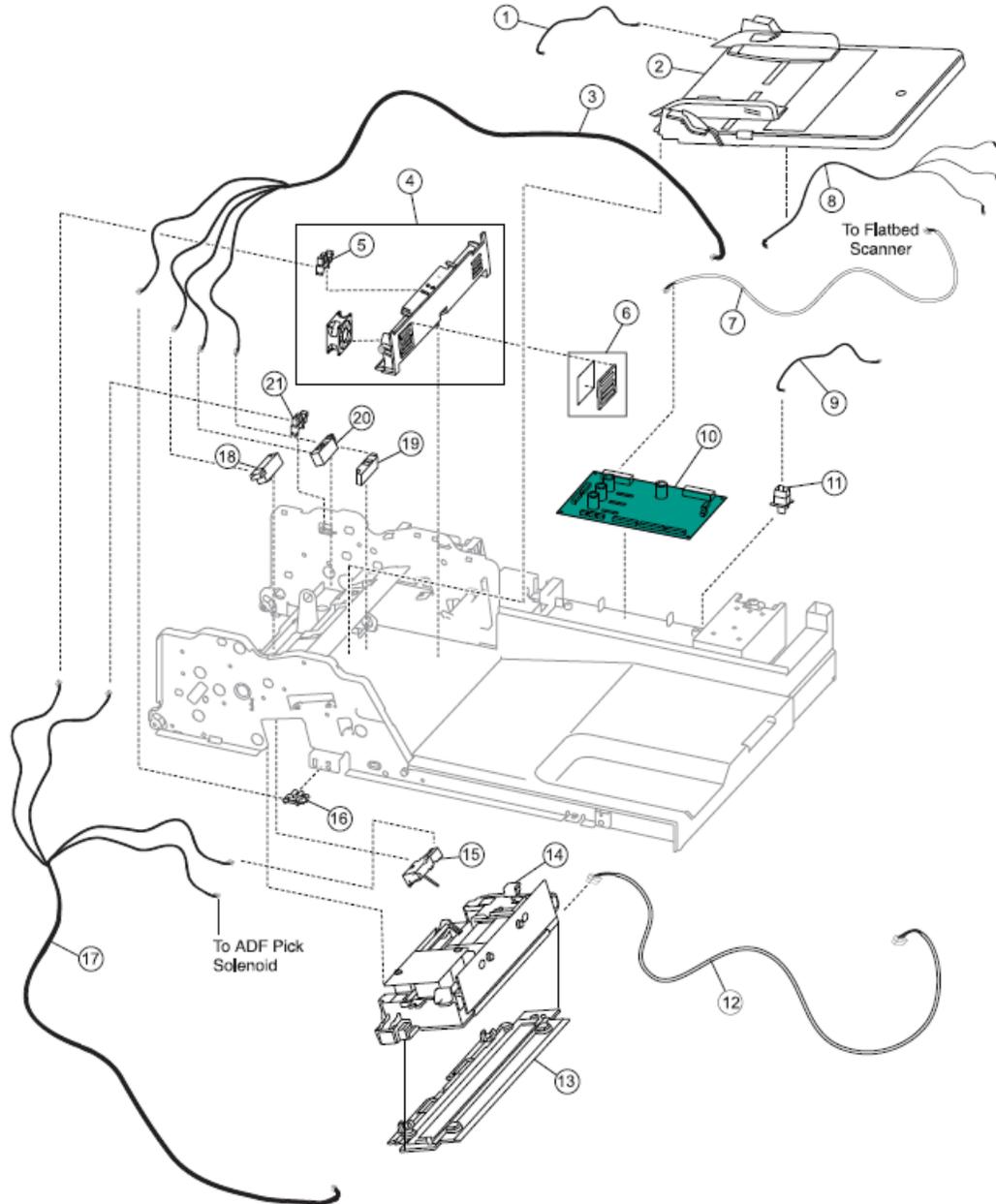


X792 Series Location

Index	Description
1	Flatbed scanner assembly
2	Scanner platen glass cover assembly
3	Scanner FB length sensor cable assembly
4	Scanner exposure lamp
5	Scanner CCD assembly
6	Sensor (platen glass length) assembly
7	Scanner interface card cable assembly
8	Carriage belt
9	Scanner interface card assembly
10	Carriage drive motor assembly with cable
11	Scanner reference LED cable assembly
12	Scanner reference LED assembly
13	Sensor (scanner HP) with bracket
14	Scanner HP sensor cable assembly
15	Carriage belt tensioner assembly
16	Scanner cooling fan
17	Scanner cooling fan filter
18	Scanner filter cover
19	Scanner CCD ribbon cable

X792 Series Location

ADF electronics

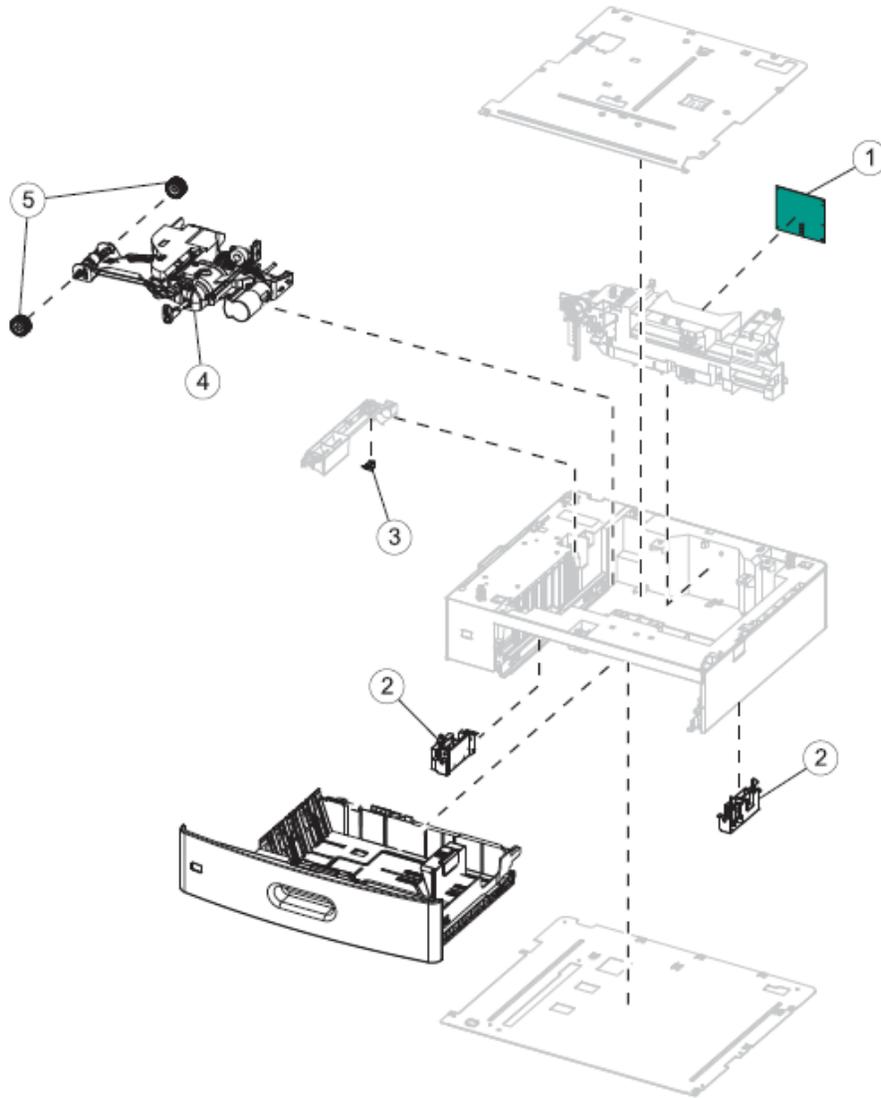


X792 Series Location

Index	Description
1	ADF tray length cable assembly
2	ADF document tray assembly
3	ADF sensor cable assembly
4	Sensor (ADF media exit) bracket assembly with fan
5	Sensor (ADF media exit)
6	ADF filter and cover
7	ADF interface cable assembly
8	ADF beacon LED cable
9	ADF closed interlock switch cable assembly
10	ADF controller card assembly
11	Switch (ADF closed interlock)
12	Duplex CCD interface cable assembly
13	ADF duplex CCD scan glass assembly
14	ADF duplex CCD assembly
15	Sensor (ADF 2nd scan)
16	Sensor (ADF lower door interlock)
17	ADF exit sensor cable
18	Sensor (ADF 1st scan)
19	Sensor (ADF document set)
20	Sensor (ADF sheet through)
21	Sensor (ADF top door interlock)

X792 Series Location

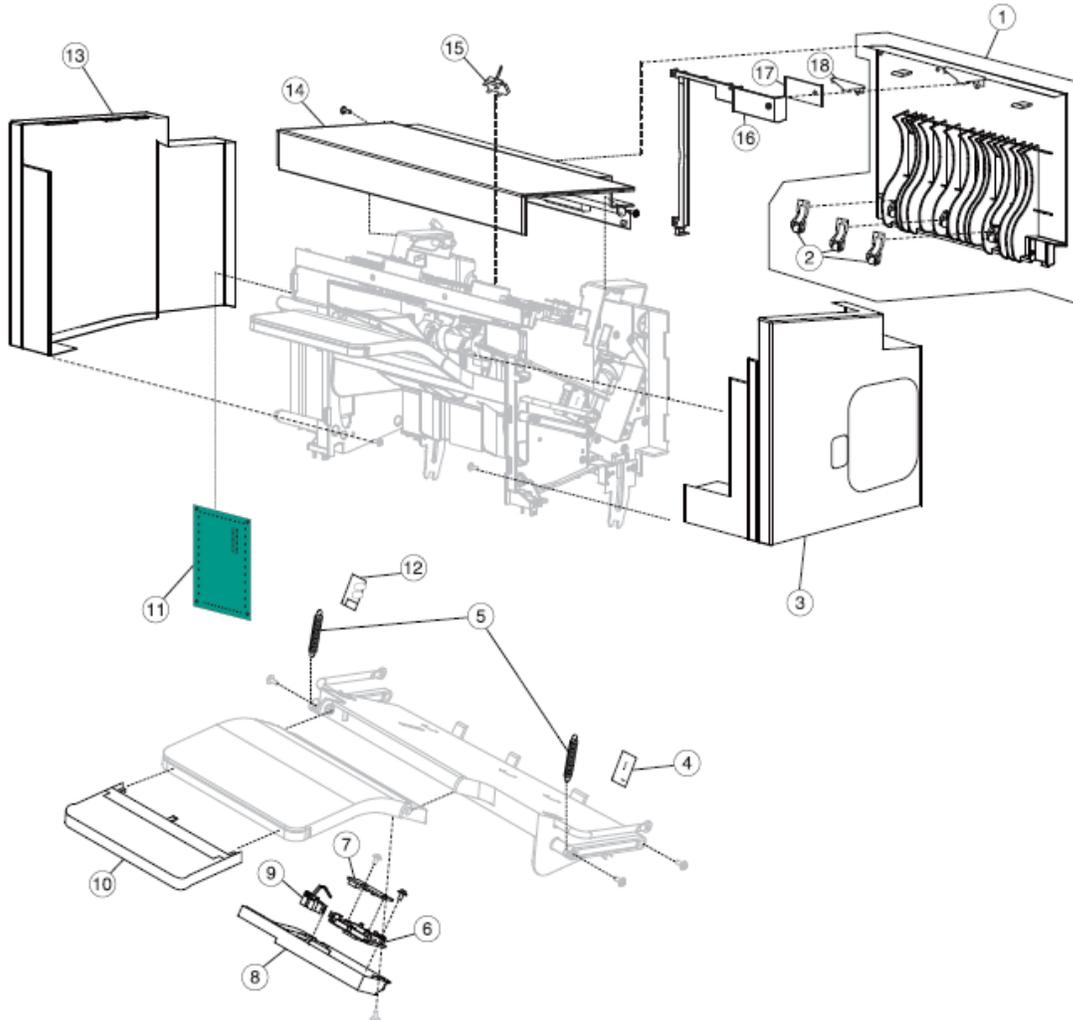
Optional 550-sheet drawer assembly



Index	Description
1	550-sheet tray controller card assembly
2	Anti-tip latch assembly
3	550-sheet/2000-sheet input option sensor pack
4	550-sheet tray pick assembly
5	Pick roll assembly

X792 Series Location

Finisher/high-capacity output stacker assembly

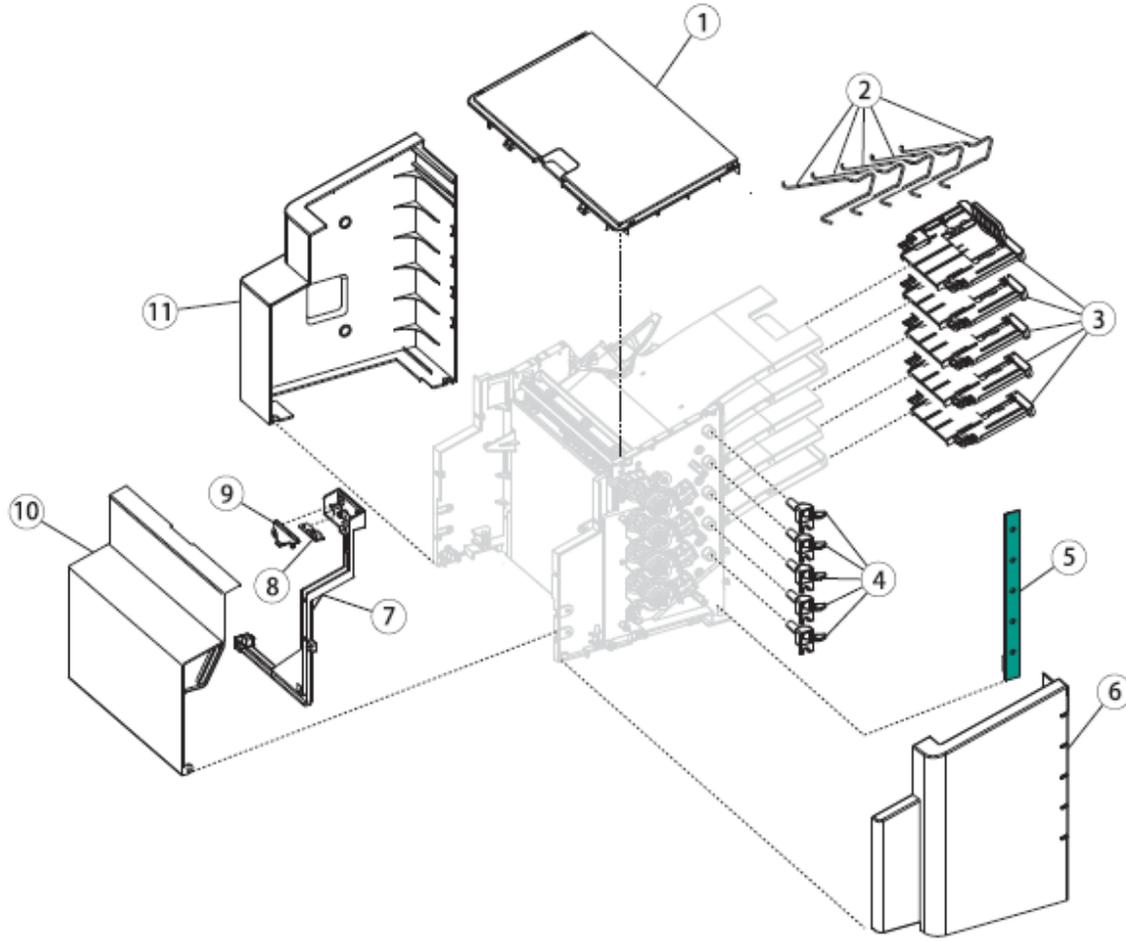


Index	Description
1	Left access door assembly
2	Backup redrive roller
3	Finisher/stacker rear cover
4	Sensor (bin full receive)
5	Finisher bin-full spring
6	LED clear lens
7	Standard output bin LED
8	Bottom cover
9	Sensor (bin media present)

Index	Description
10	Output bin extension
11	Finisher /stacker controller card
12	Sensor (bin full send)
13	Front cover
14	Top cover
15	Finisher sensor (pass thru)/Stacker sensor (pass thru)
16	Beacon housing
17	Left access beacon
18	Beacon clear lens

X792 Series Location

5-bin mailbox assembly

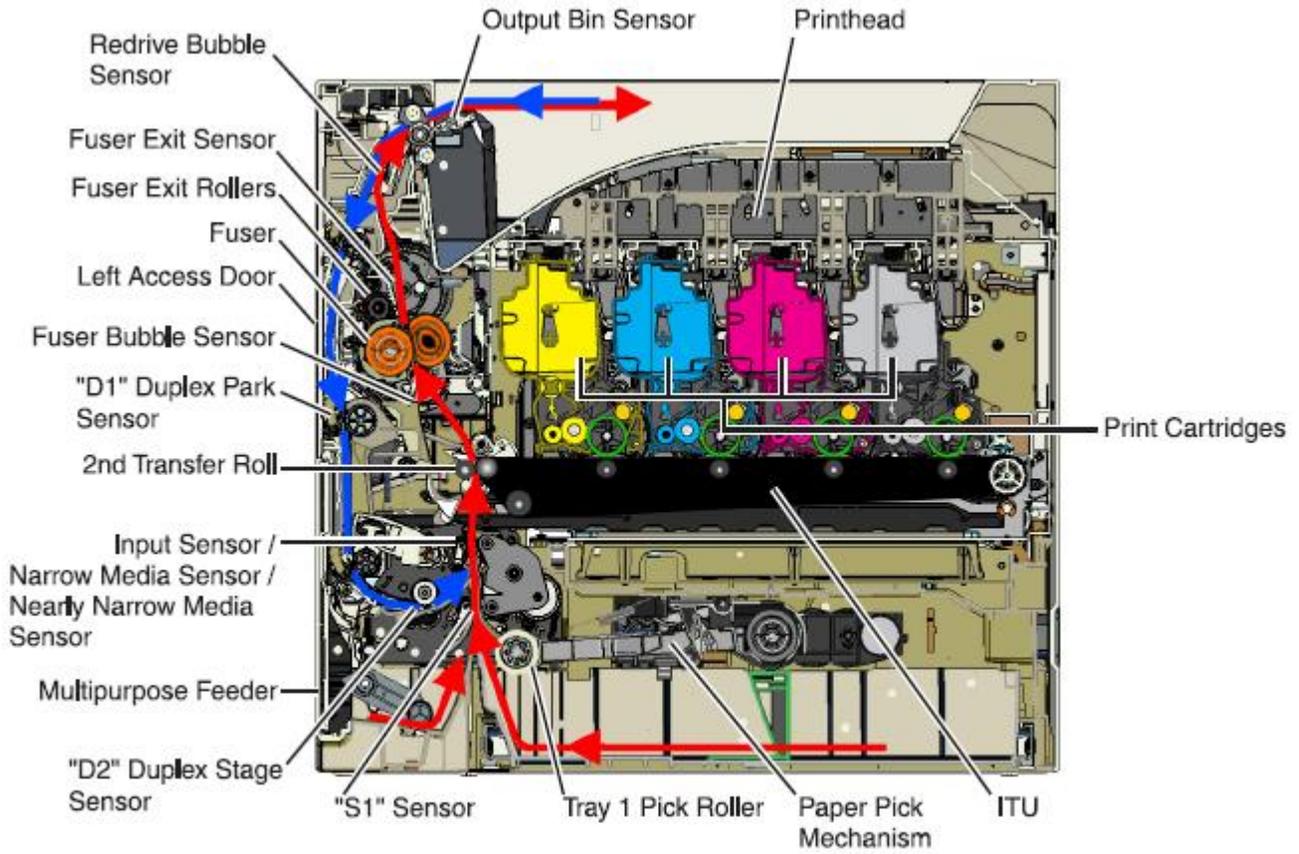


Index	Description
1	Power cord
2	Main fan
3	LVPS exit duct
4	LVPS fan
5	MPF drive assembly
6	Fuser drive assembly, including

Index	Description
7	Low-voltage power supply (LVPS)
8	Low-voltage power supply (LVPS) assembly
9	System board and HVPS card parts packet
10	CPU cooling fan
11	System board
12	Exit cooling duct assembly

X792 Series Location

Sensors



Picture does not show all sensors used by the product